

Katalog ND
Spare parts book

GARUDAN[®]

UH9000 series



ANITA B, s.r.o.

Průmyslová 2453/7

680 01 Boskovice

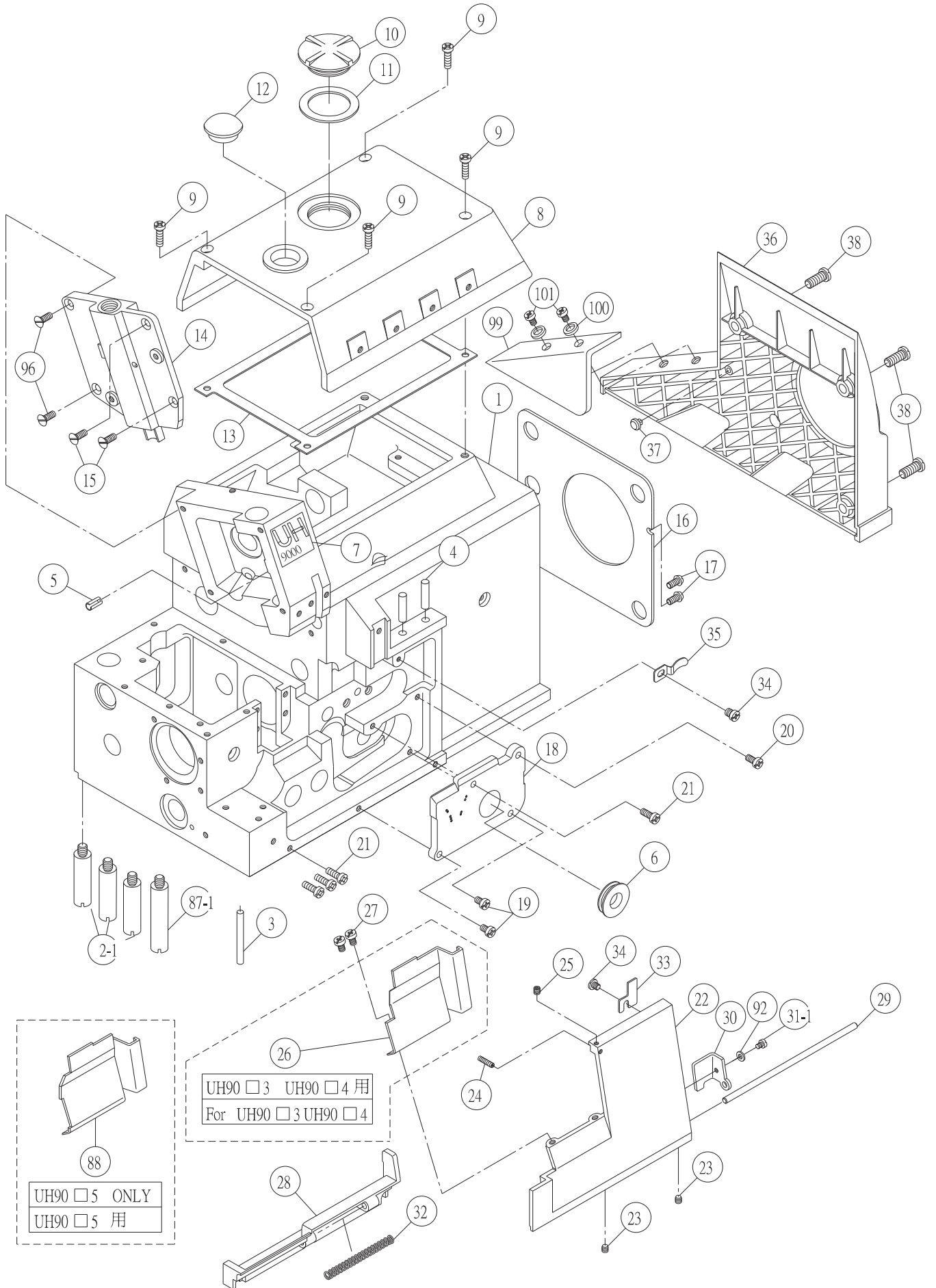
Czech Republic

tel: +420 516454774, 516453496

fax: +420 516452751

e-mail: info@anita.cz

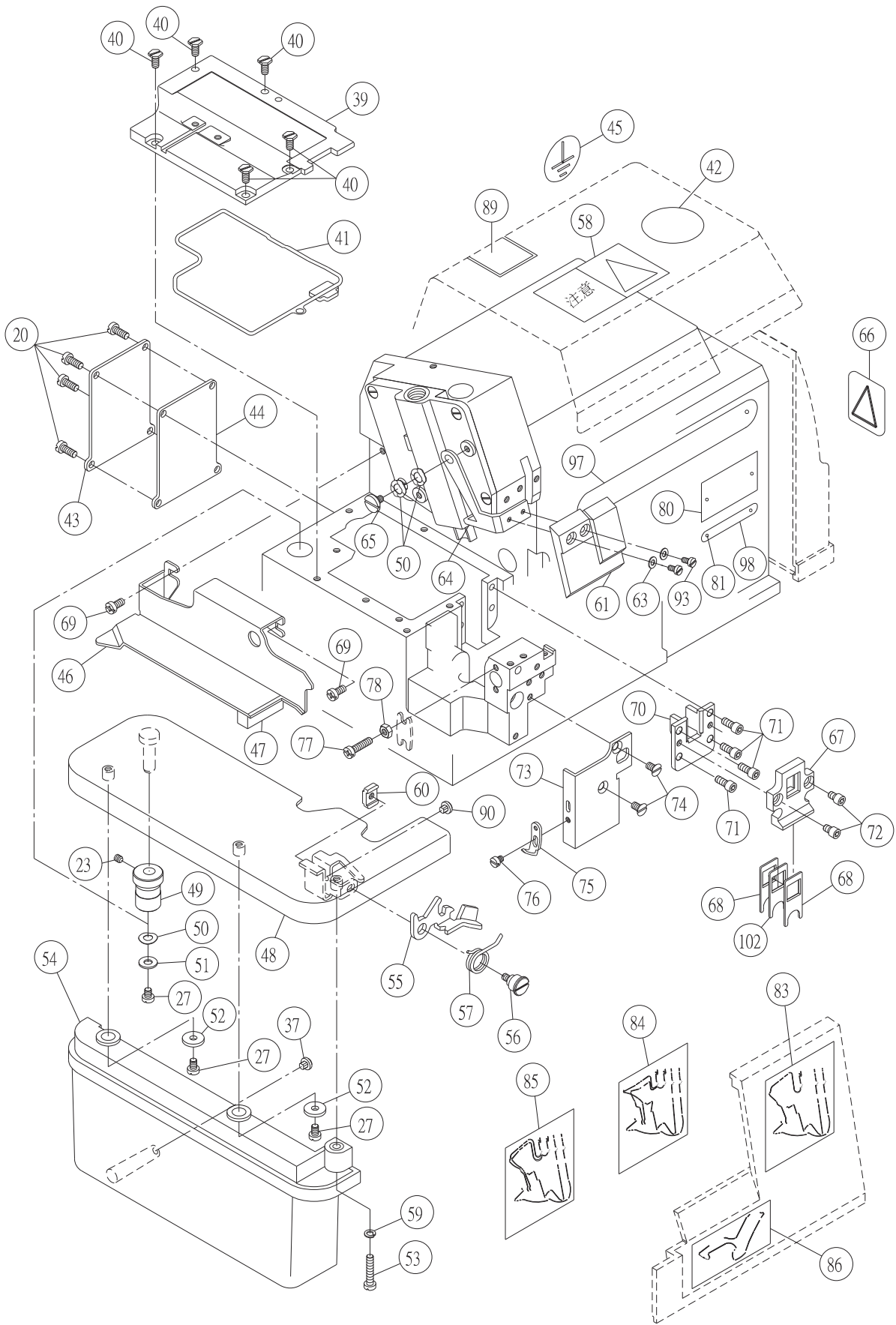
1.本體與外裝零件(一) Frame And Cover (一)



1.本體與外裝零件(一) Frame And Cover (一)

序號	物料編號	名稱		單位用量
Ref. No.	Parts Number	Description		Amt.Req.
1	21200001011	縫機本體	Framee	1
2-1	21200001021	支柱	Frame Support	3
3	2120000103	回油管	Pipe	1
4	2100000212	導線管	Thread Guide	2
5	90SP0512	定位銷	Pin	1
6	2120000106	防塵油封	Gasket	1
7	66479-7	銘板	Name Plate	1
8	21200001081	上蓋	Top Cover	1
9	8MC04281407D	螺絲	Screw	4
10	2120000110	油窗	Oil Sight Window	1
11	2120000111	油封	Oil Seal	1
12	2120000112	孔塞	Plug	1
13	2120000113	防漏墊片	Gasket	1
14	2120000114	針棒側蓋	Side Cover	1
15	8ME04281008A	螺絲	Screw	2
16	2120000116	風扇封蓋	Fan Cover	1
17	8MB04280705K	螺絲	Screw	2
18	2120000118	封蓋	Cover	1
19	8MC04280807D	螺絲	Screw	2
20	8MC04281007D	螺絲	Screw	5
21	8MC04281207D	螺絲	Screw	4
22	2120000122	前蓋	Front Cover	1
23	8MN04280400A	螺絲	Screw	3
24	8MN03201200A	螺絲	Screw	1
25	8MN03200400A	螺絲	Screw	1
26	2120030126	導布屑	Chip Guard	1
27	8MC04280607D	螺絲	Screw	5
28	2120000128	鉸鏈	Hinge	1
29	2120000129	樞銷	Pin	1
30	2120000130	前蓋側檔	Front Cover Hook	1
31-1	8MB03200606A	螺絲	Screw	1
32	2120000132	彈簧	Spring	1
33	2120000133	鎖鉤	Hook	1
34	8MC04280507D	螺絲	Screw	2
35	2120000135	鎖扣	Latch	1
36	2120000136	皮帶護蓋	Belt Cover	1
37	2120000137	防震橡膠墊	Cushion Rubber	2
38	8MB06401409A	螺絲	Screw	3
39	2120000139	護蓋	Feed Mechanish Cover	1
40	8MK04280807A	螺絲	Screw	5
41	2120000141	油封	Gasket	1
42	66453-6	安全指示貼紙	Name Plate	1
43	2120000143	背蓋	Cover	1
44	2120000144	防漏墊片	Gasket	1
45	66453-1	地線貼紙	Name Plate	1
46	2120000146	布鈹側檔	Fabric Guard	1
47	2120000147	減震墊	Rubber Plug	1
48	2120000148	布鈹	Cloth Plate	1

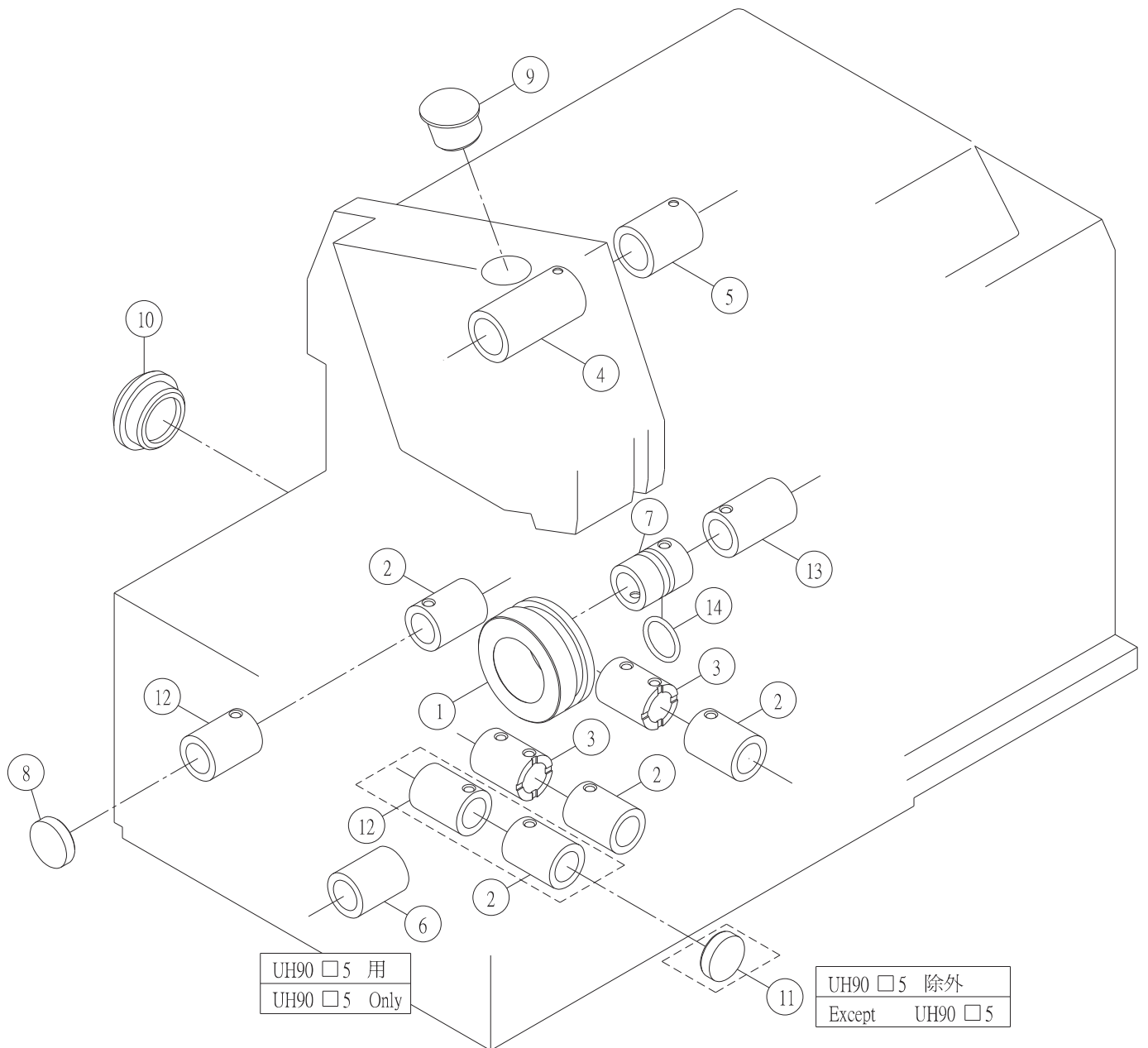
1.本體與外裝零件(二) Frame And Cover (二)



1.本體與外裝零件(二) Frame And Cover(二)

序號	物料編號	名稱		單位	用量
Ref. No.	Parts Number	Description		Amt.	Req.
49	2120000149	偏心套管	Eccentric Bushing		1
50	2120000150	波型墊圈	Waved Washer		3
51	2120000151	墊圈	Washer		1
52	2200000908	墊圈	Washer		2
53	8MC04282007D	螺絲	Screw		1
54	2120000154	布鈹架	Cloth Plate Cover		1
55	2120000155	鎖鉤	Hook		1
56	2120000156	螺樁	Screw		1
57	2120000157	彈簧	Spring Washer		1
58	66453-2	安全指示貼紙	Name Plate		1
59	2120000159	墊圈	Washer		1
60	2120000160	夾板	Clamp		1
61	2120000161	護目鏡	Eye Guard		1
63	90PW030	墊圈	Washer		2
64	2120000164	支架	Bracket		1
65	8MB04280711E	螺樁	Screw		1
66	66453-3	安全指示貼紙	Name Plate		1
67	2120000167	油封座	Seal Guide		1
68	2120000168	油封	Oil Seal		2
69	8MC04280608D	螺絲	Screw		2
70	2120000170	導軌	Left Feed Bar Guide		1
71	8MM04280907A	螺絲	Screw		4
72	8MM04280507A	螺絲	Screw		2
73	2120000173	封蓋	Cover		1
74	8MF04280807C	螺絲	Screw		2
75	2120000175	鎖鉤	Hook		1
76	8MB85240406A	螺絲	Screw		1
77	8MC04281607D	螺絲	Screw		1
78	8MA04280307A	螺帽	Nut		1
79	66453-5	- - - - -	- - - - -		停用
80	66479-10	銘板	Name Plate		1
81	66620	鉚釘	Rivet		6
82	66479-3	- - - - -	- - - - -		停用
83	66440-3	穿線貼紙	Threading Diagram For UH9003		1
84	66440-4	穿線貼紙	Threading Diagram For UH9004		1
85	66440-5	穿線貼紙	Threading Diagram For UH9005		1
86	66440-6	穿線貼紙	Threading Diagram For UH9005		1
87-1	21200001871	支柱	Frame Support		1
88	2120050188	導布屑	Chip Guard		1
89	66453-4	安全指示貼紙	Name Plate		1
90	2120000190	防震橡膠墊	Cushion Rubber		1
91	2120000191	- - - - -	- - - - -		停用
92	90PW030	墊圈	Washer		1
93	8MB03200505K	螺絲	Screw		2
94	2120000194	- - - - -	- - - - -		停用
96	8ME04281408A	螺絲	Screw		2
97	66479-8	銘板	Name Plate		1
98	66479-9	銘板	Type Plate		1
99	2120000199	護蓋	Feed Mechanish Cover		1
100	2100000223	墊圈	Washer		2
101	8MC04280608D	螺絲	Screw		2
102	2120000197	油封	Gasket		1

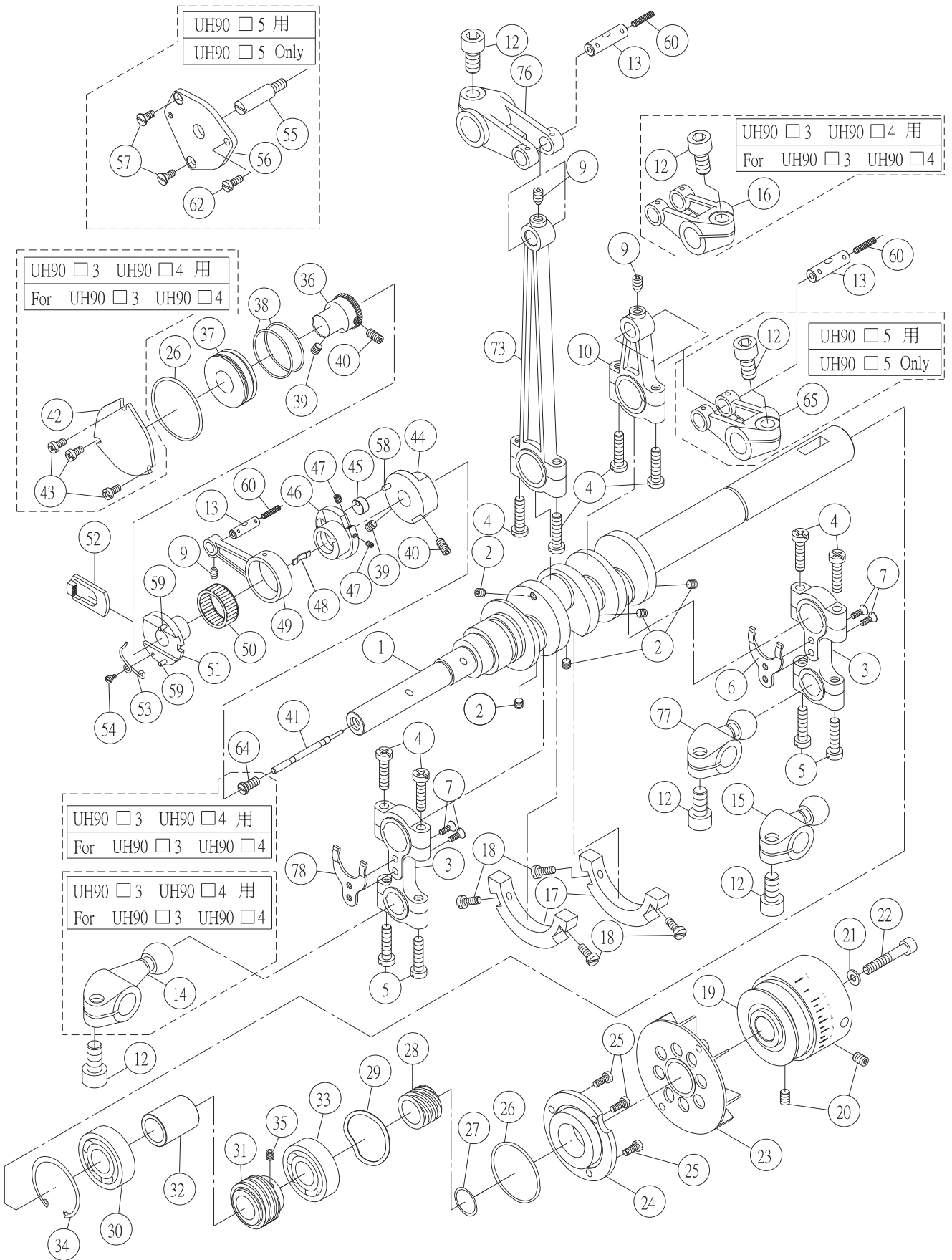
2.軸襯及孔塞Bushing And Plug



2.軸襯及孔塞Bushing And Plug

序號	物料編號	名稱		單位用量
Ref. No.	Parts Number	Description		Amt.Req.
1	2120000201	軸襯	Bushing	1
2	2120000202	軸襯	Bushing	3(3、4) 4(5)
3	2120000203	軸襯	Bushing	2
4	2120000204	軸襯	Bushing	1
5	2120000205	軸襯	Bushing	1
6	2120000206	軸襯	Bushing	1
7	2120000207	軸襯	Bushing	1
8	2120000208	孔塞	Plug	1
9	2120000209	孔塞	Plug	1
10	2120000210	孔塞	Plug	1
11	2120000208	孔塞	Plug	1
12	2120000212	軸襯	Bushing	1(3、4) 2(5)
13	2120000213	軸襯	Bushing	1
14	2120000608	油環	O-Ring	1

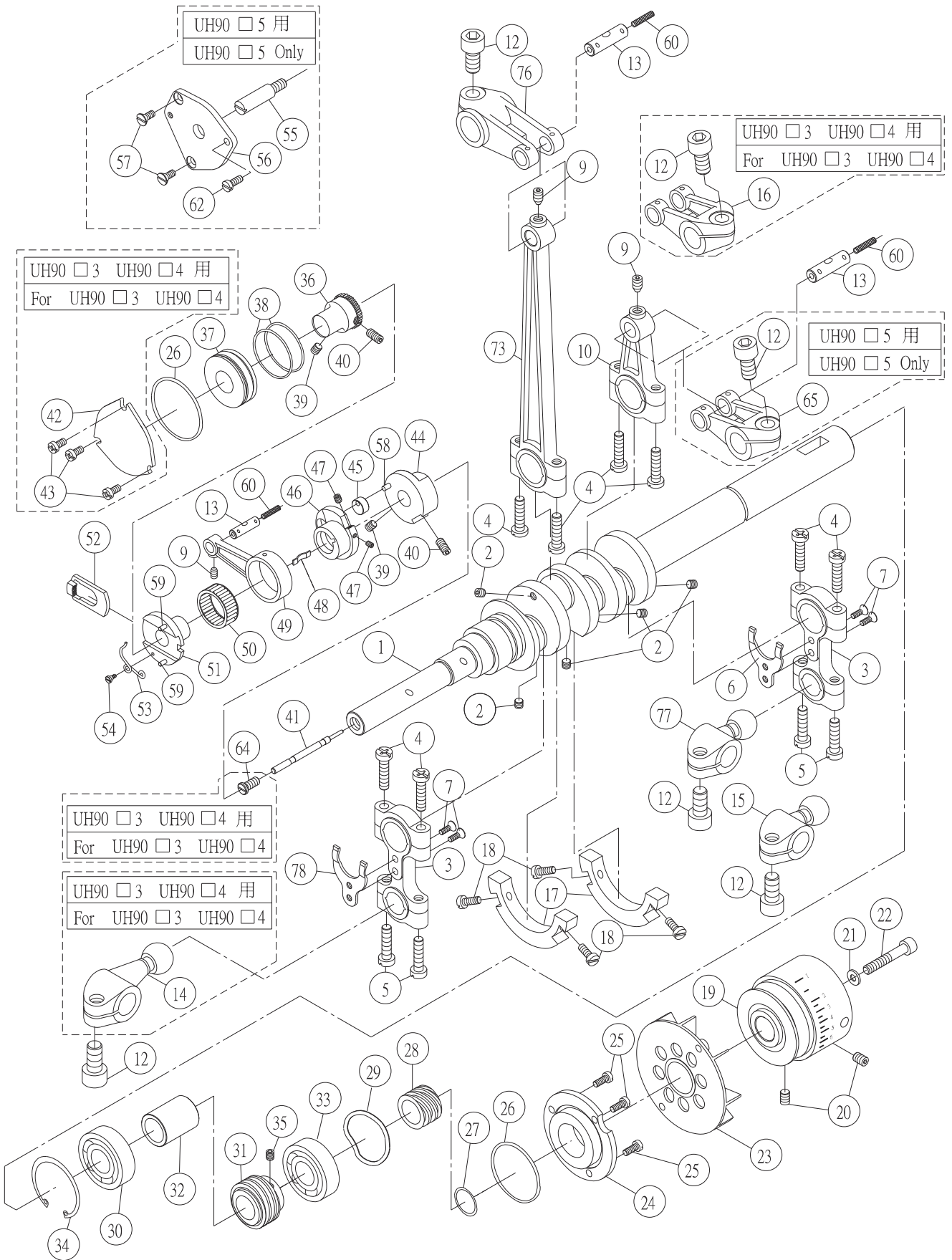
3.主軸及嵌附零件Main Shaft Components



3.主軸及嵌附零件Main Shaft Components

序號	物料編號	名稱		單位	用量
Ref. No.	Parts Number	Description		Amt.	Req.
1	2120000301	主軸	Crankshafe		1
2	8MN85240300A	螺絲	Screw		5
3	2120000303	連桿	Looper Rod		2
4	8MB04281507B	螺絲	Screw		8
5	8MC04281407D	螺絲	Screw		4
6	2121001523	導軌	Guide		1
7	8MB03200505K	螺絲	Screw		4
8	2120000308	- - - - -	- - - - -		停用
9	8MN04280500C	螺絲	Screw		3
10	2120000310	連桿	Upper Kniferod		1
11	2120030311	- - - - -	- - - - -		停用
12	8MM06401210A	螺絲	Screw		4
13	2120000313	曲柄銷	Level Pin		3
14	2120030314	球軸曲柄	Crank		1
*15	2120000315	球頭曲柄	Crank		1
16	2120000316	曲柄	Level		1
17	2120000317	配重	Balance Weight		2
18	8MB03200606K	螺絲	Screw		4
19	2120000319	手輪	Pulley		1
20	8MN06400800A	螺絲	Screw		2
21	2200000910	墊圈	Spring Washer		1
22	8MM06403510B	螺絲	Screw		1
23	2120000323	風扇	Fan		1
24	2120000324	封蓋	Thrust Holder		1
25	8MC04281007D	螺絲	Screw		3
26	2120000326	油環	O-Ring		2
27	2120000327	油環	O-Ring		1
28	2120000328	聚油環	Position Lock Ring		1
29	2100000316	波型墊圈	Washer		1
30	90BB174012	滾珠軸承	Ball Bearing		1
31	2120000331	蝸桿	Worm		1
32	2120000332	隔環	Collar		1
33	90BB1740121	滾珠軸承	Ball Bearing		1
34	2120000334	扣環	Ring		1
35	8MN05320500E	螺絲	Screw		1
36	2120000336	離合齒輪	Ratchat Gear		1
37	90BB1535112	滾珠軸承	Ball Bearing		1
38	2120000338	油環	O-Ring		2
39	8MN05320500E	螺絲	Screw		2
40	8MN05321000A	螺絲	Screw		2
41	2120000341	填隙銷	Pin		1
42	2120030342	封蓋	Cover		1
43	8MC04280807D	螺絲	Screw		3
44	2120000344	基準定位輪	Regulator		1
45	2120000345	牽引導輪	Feed Pin		1
46	2120000346	變距偏心輪	Eccentric		1
47	8MN03200400A	螺絲	Screw		2
48	2120000348	簧片	Spring		1
49	2120000349	連桿	Connection		1
50	90NB222610	滾針軸承	Needle Bearing		1

3.主軸及嵌附零件Main Shaft Components

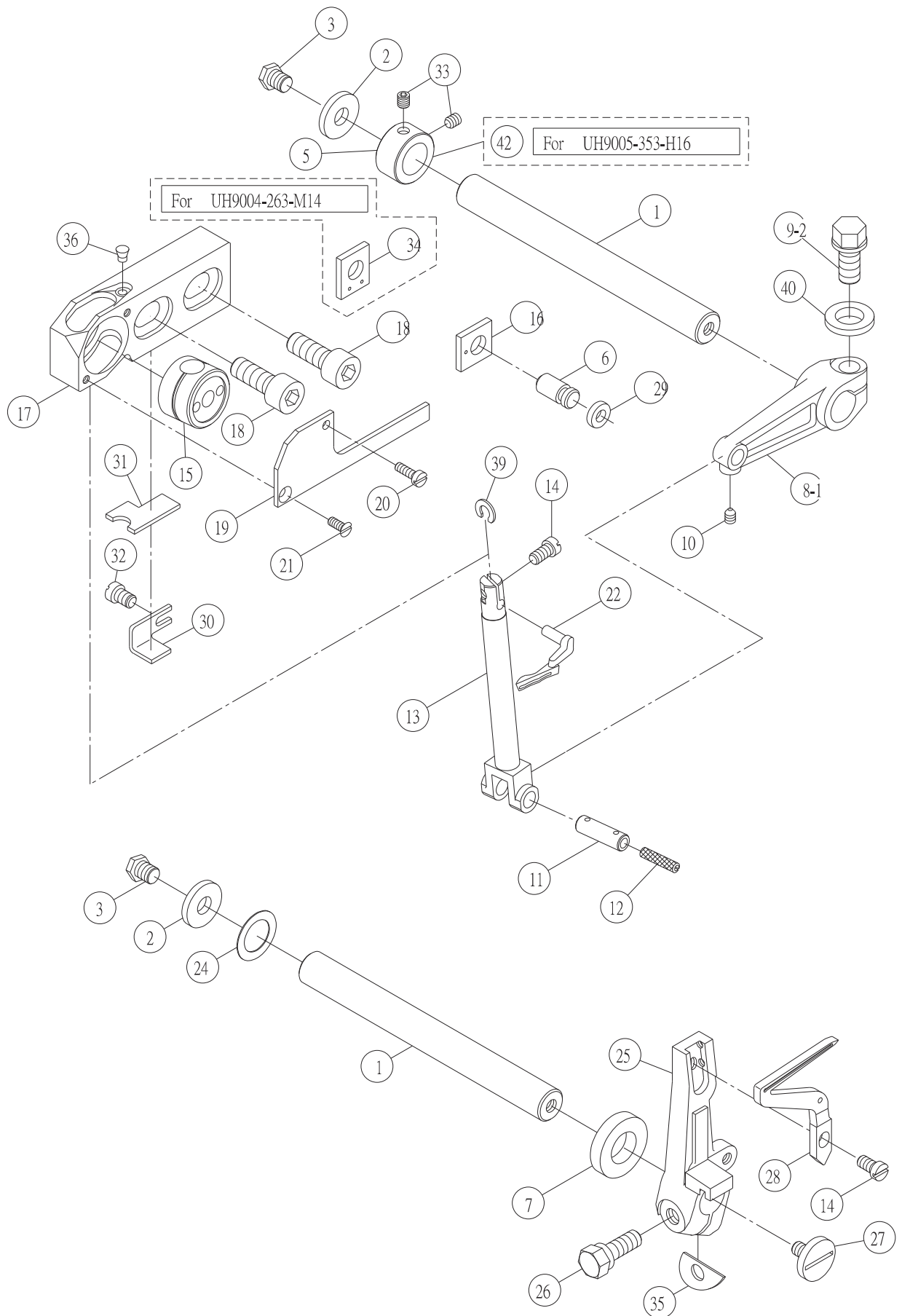


3.主軸及嵌附零件Main Shaft Components

序號	物料編號	名稱		單位	用量
Ref. No.	Parts Number	Description		Amt.	Req.
51	2120000351	偏心輪	Eccentric	1	1
52	2120000352	離合板	Pawl	1	1
53	2120000353	彈簧	Spring	1	1
54	2120000354	螺椿	Stud	1	1
55	2120050355	揚線凸輪軸	Shaft	1	1
56	2120050356	封蓋	Cover	1	1
57	8ME04281008A	螺絲	Screw	2	2
58	90ST0312	銷	Pin	1	1
59	90SP7510	彈簧銷	Pin	2	2
60	66800	油線	Oil Wick	3	3
61	2120040361	- - - - -	- - - - -		停用
62	8MB04281008K	螺絲	Screw	1	1
64	8MB06401309A	螺絲	Screw	1	1
65	2120050365	曲柄	Level	1	1
66	212A0040361	- - - - -	- - - - -		停用
67	212A0030311	- - - - -	- - - - -		停用
68	212A0000310	- - - - -	- - - - -		停用
69	212A0050365	- - - - -	- - - - -		停用
70	212A0000316	- - - - -	- - - - -		停用
71	212A0000303	- - - - -	- - - - -		停用
72	212A0000308	- - - - -	- - - - -		停用
73	2120000375	連桿	Needle Bar Rod	1	1
74	212A0000375	- - - - -	- - - - -		停用
75	212A0000376	- - - - -	- - - - -		停用
76	2120030376	曲柄	Level	1	1
77	2120000377	球頭曲柄	Crank	1	1
78	2100000335	導軌	Guide	1	1

*UH9004-263-M14用、9105用

4. 上、下結線鉤傳動機構Upper & Lower Looper Driving Mechanism



4. 上、下結線鉤傳動機構Upper & Lower Looper Driving Mechanism

序號	物料編號	名稱		單位	用量
Ref. No.	Parts Number	Description		Amt.	Req.
1	2120000401	軸	Shaft		2
2	2120000402	止推墊圈	Washer		2
3	8MK05320808A	螺絲	Screw		2
5	2120000405	變距隔環	Spacer		1
6	2100000750	定位銷	Pin		1
7	2120000407	油封	Oil Seal		1
8-1	21200004081	曲柄	Lever		1
9-2	8MK06301408J	螺絲	Screw		1
10	8MN03200400C	螺絲	Screw		1
11	2120000411	曲柄銷	Pin		1
12	2120000412	羊毛氈	Felt		1
13	2120000413	上結線鉤座	Upper Looper Holder		1
14	8MB85240705A	螺絲	Screw		2
15	2120000415	擺動軸承	Upper Looper Holder Guide		1
16	2100030749	定位片	Stopper		1
17	2120000417	軸承座	Upper Looper Holder Base		1
18	8MM06401610A	螺絲	Screw		2
19	2120000419	封蓋	Cover		1
20	8MB75180805A	螺絲	Screw		1
21	8ME75180605A	螺絲	Screw		1
22	*****	上結線鉤	Upper Looper		1
24	2120000424	墊圈	Spring Washer		1
25	2120000425	擺動臂	Lower Looper Arm		1
26	8MK05321308C	螺絲	Screw		1
27	8MB04280713A	螺絲	Screw		1
28	*****	下結線鉤	Lower Looper		1
29	90OR040	油環	O-Ring		1
30	2120000430	壓板	Cover		1
31	2120000431	羊毛氈	Felt		1
32	8MB03200406A	螺絲	Screw		1
33	8MN04280400A	螺絲	Screw		2
1. 34	2100040752	定位片	Stopper		1
35	2120000435	限位墊片	Spacer		1
36	2120000436	濾心孔塞	Plug		1
39	4BD0800114	墊圈	Washer		1
40	2120000440	墊圈	Spring Washer		1
2. 42	2120000442	變距隔環	Spacer		1

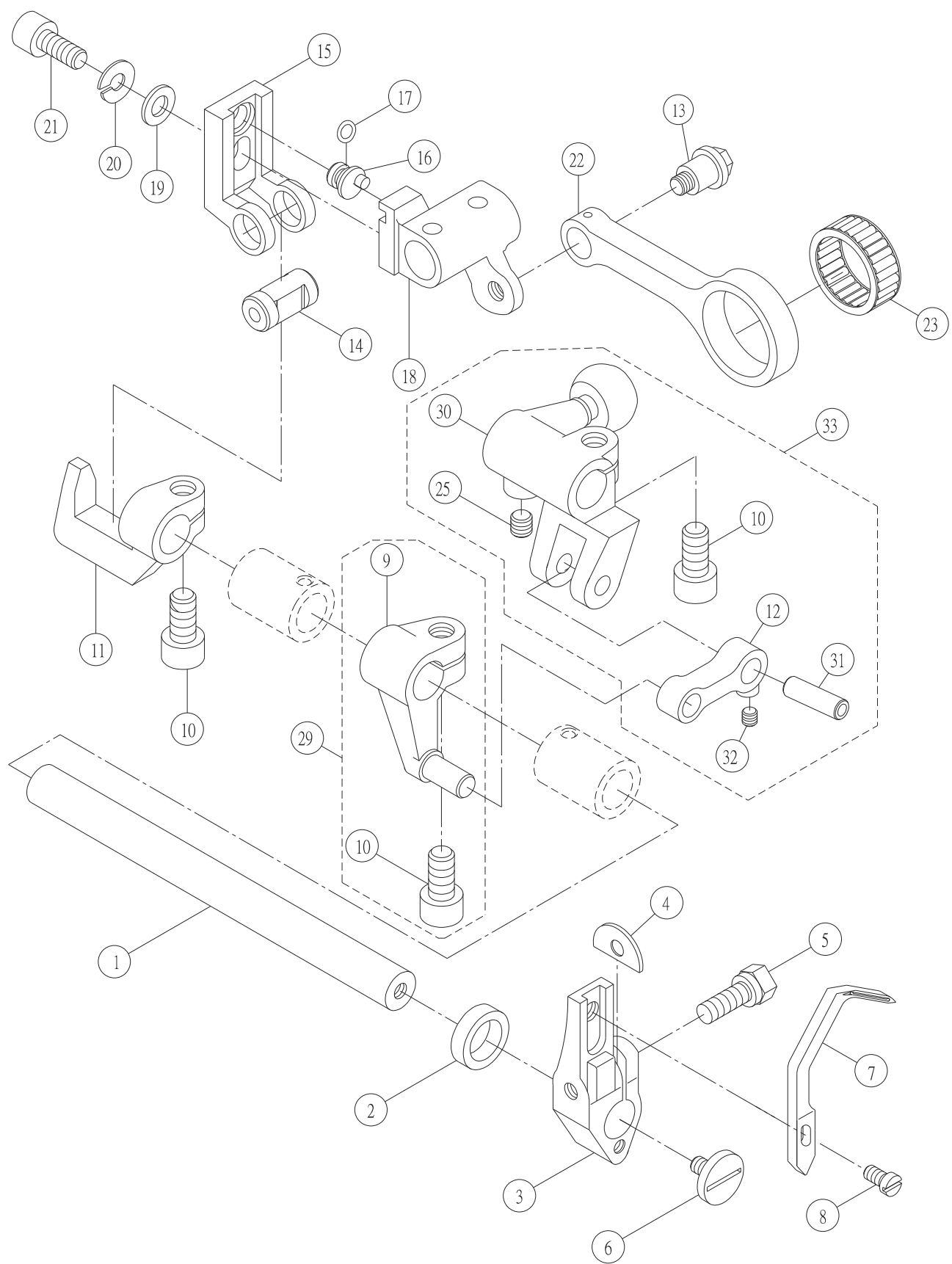
.1 For UH9004-263-M14

.2 For UH9005-353-H16

***** 詳細資料請參照附件

***** is one of the gauge parts

5. 鏈結線鉤傳動機構 (UH90□5) Chain Looper Driving Mechanism (UH90□5)

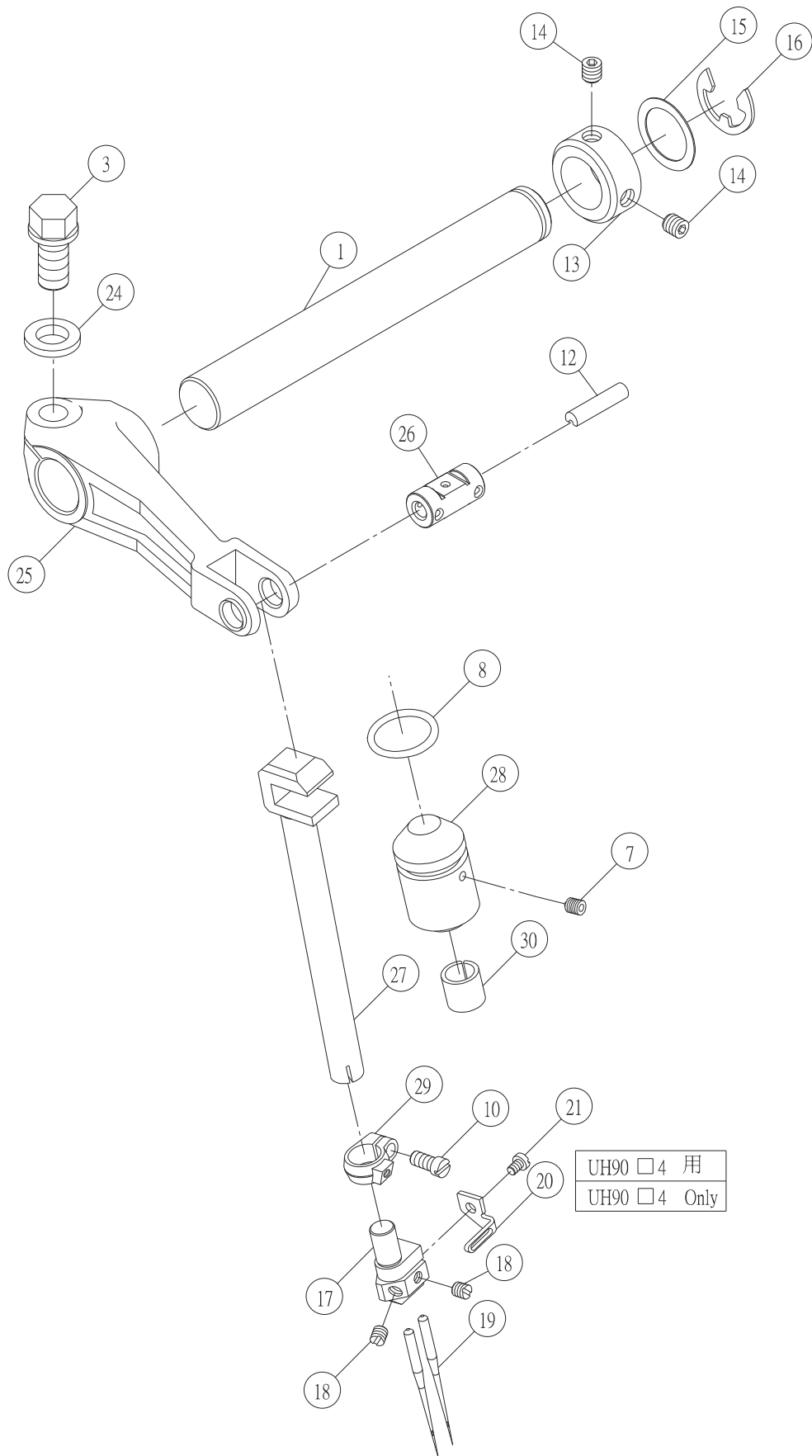


5.鏈結線鉤傳動機構 (UH90□5) Chain Looper Driving Mechanism (UH90□5)

序號	物料編號	名稱		單位用量
Ref. No.	Parts Number	Description		Amt.Req.
1	2120050501	軸	Shaft	1
2	2120050502	油封	Oil Seal	1
3	2120050503	鏈結線鉤座	Chain Looper Arm	1
4	2100000715	限位墊片	Spacer	1
5	8MK05321308C	螺絲	Screw	1
6	8MB04280713A	螺絲	Screw	1
7	*****	鏈結線鉤	Chainstitch Looper	
8	8MB85240705A	螺絲	Screw	1
9	2120050509	曲柄	Crank	1
*10	8MM06401210A	螺絲	Screw	3
11	2120050511	擺動接頭	Connector	1
*12	2120000512	連桿	Link	1
13	2120050513	螺椿	Screw	1
14	2120050514	樞銷	Pin	1
15	2120050515	曲柄	Slider	1
16	2120050516	變距轉子	Pin	1
17	2120050517	油環	O-Ring	1
18	2120050518	變距滑塊	Crank	1
19	2200001025	墊圈	Washer	1
20	90SW050	彈簧墊圈	Spring Washer	1
21	8MM05321209A	螺絲	Screw	1
22	2120050522	連桿	Connection Rod	1
23	90NB182208	滾針軸承	Needle Bearing	1
24	2120050524	- - - - -	- - - - -	停用
*25	8MN05320500E	螺絲	Screw	1
26	2120000526	- - - - -	- - - - -	停用
27	2120000527	- - - - -	- - - - -	停用
28	8MK05201307G	- - - - -	- - - - -	停用
29	212A0050509	曲柄組	Slider Asm.	1
*30	2120050530	球頭曲柄	Crank	1
*31	2120000611	連結銷	Pin	1
*32	8MN04280400A	螺絲	Screw	1
*33	212A0050530	球頭曲柄組	Crank Asm.	1

***** 詳細資料請參照附件
 ***** is one of the gauge parts

6. 針棒傳動機構 Needle Bar Components

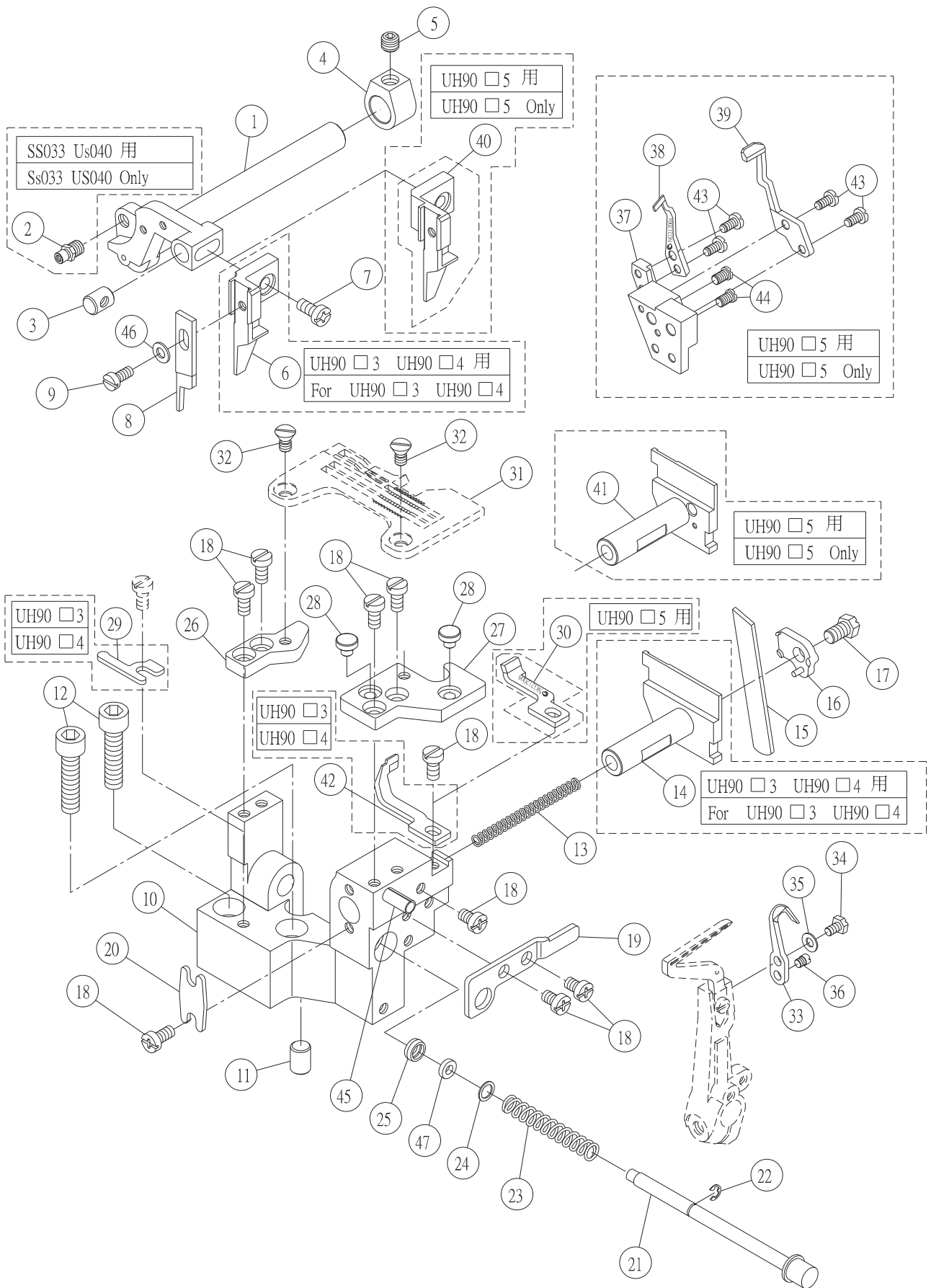


6.針棒傳動機構Needle Bar Components

序號	物料編號	名稱	單位	用量
Ref. No.	Parts Number	Description	Amt.	Req.
1	2120000601	軸	Shaft	1
3	8MK06301408J	螺絲	Screw	1
4	2120000604	- - - - -	- - - - -	停用
5	2120000605	- - - - -	- - - - -	停用
6	2120000606	- - - - -	- - - - -	停用
7	8MN04280500C	螺絲	Screw	1
8	2120000608	油環	O-Ring	1
9	2120000609	- - - - -	- - - - -	停用
10	8MB03200604A	螺絲	Screw	1
11	2120000611	- - - - -	- - - - -	停用
12	2120000612	羊毛氈	Felt	1
13	2120000613	定位環	Collar	1
14	8MN04280400A	螺絲	Screw	2
15	2120000615	墊圈	Washer	1
16	90ER080	扣環	E-Ring	1
17	*****	針留	Needle Holder	
18	8SH32440300A	螺絲	Screw	2
19	*****	針	Needle	
20	2120040620	導線	Thread Guide	1
21	8MB02160304A	螺絲	Screw	1
22	2120000622	- - - - -	- - - - -	停用
24	2120000440	墊圈	Spring Washer	1
25	2120000625	驅動臂	Lever	1
26	2120000626	連結銷	Pin	1
27	2120000627	針棒	Needle Bar	1
28	2120000628	軸襯	Bushing	1
29	2120000629	束圈	Clamp	1
30	2120000630	羊毛氈	Felt	1

***** 詳細資料請參照附件
 ***** is one of the gauge parts

7.上,下刀修邊機構Upper And Lower Knife Components



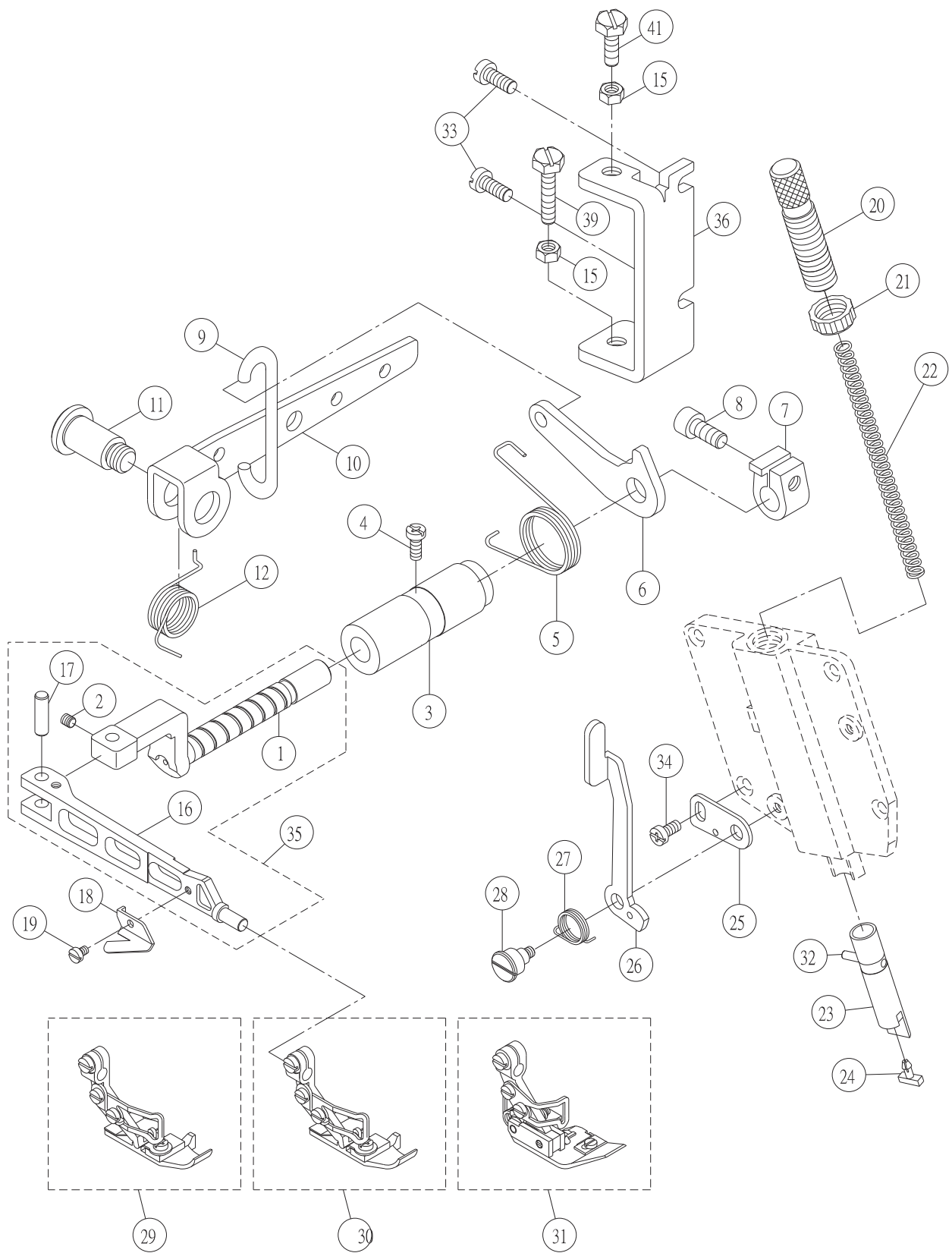
7.上,下刀修邊機構Upper And Lower Knife Components

序號	物料編號	名稱		單位用量
Ref. No.	Parts Number	Description		Amt.Req.
1	2120000701	上刀軸	Upper Knife Shaft	1
2	2120000702	驅動銷	Pin	1
3	2120000703	固定銷	Pin	1
4	2120000704	定位環	Collar	1
5	8MN06400500A	螺絲	Screw	1
6	2120030706	上刀座	Upper Knife Clamp	1
7	8MC04280807D	螺絲	Screw	1
8	2120000708	上刀	Upper Knife	1
9	8MB85240806A	螺絲	Screw	1
10	2120000710	下刀座	Bracket	1
11	2120000711	定位銷	Pin	1
12	8MM06402510A	螺絲	Screw	2
13	2120000713	迫緊彈簧	Spring	1
14	2120030714	下刀架	Lower Knife Holder	1
15	2120000715	下刀	Lower Knife/Thick	1
16	2120000716	壓板	Lower Knife Clamp	1
17	8MK05321108A	螺絲	Screw	1
18	8MC04280807D	螺絲	Screw	9
19	2120000719	導軌	Guide	1
20	2120000720	封蓋	Plate	1
21	2120000721	止動按鈕	Push Button	1
22	90ER030	扣環	E-Ring	1
23	2120000723	彈簧	Spring	1
24	2120000724	墊圈	Washer	1
25	2120000725	油封	Gasket	1
26	2120000726	後針板座	Rear Support	1
27	2120000727	前針板座	Front Support	1
28	2120000137	孔塞	Cushion Rubber	2
29	2120000729	定位片	Stopper	1
30	*****	前導針器	Needle Guard (Front)	
31	*****	針板	Needle Plate	
32	8MF04280807C	螺絲	Screw	2
33	*****	活動導針器	Traveling Needle Guide	
34	8MK03200506A	螺絲	Screw	1
35	90PW030	墊圈	Washer	1
36	8MB03200304A	螺絲	Screw	1
37	2120050737	導針器座	Bracket	1
38	*****	導針器	Needle Guard	
39	*****	導針器	Needle Guard	
40	2120050740	上刀座	Upper Knife Clamp	1
41	2120050741	下刀架	Lower Knife Holder	1
42	*****	前導針器	Needle Guard (Front)	
43	8MB03200606A	螺絲	Screw	4
44	8MB04281006A	螺絲	Screw	2
45	90SP0514	彈簧銷	Pin	1
46	2100000223	墊圈	Washer	1
47	90OR040	油環	O-Ring	1

***** 詳細資料請參照附件

***** is one of the gauge parts

8. 壓腳提昇機構 Press Foot Components

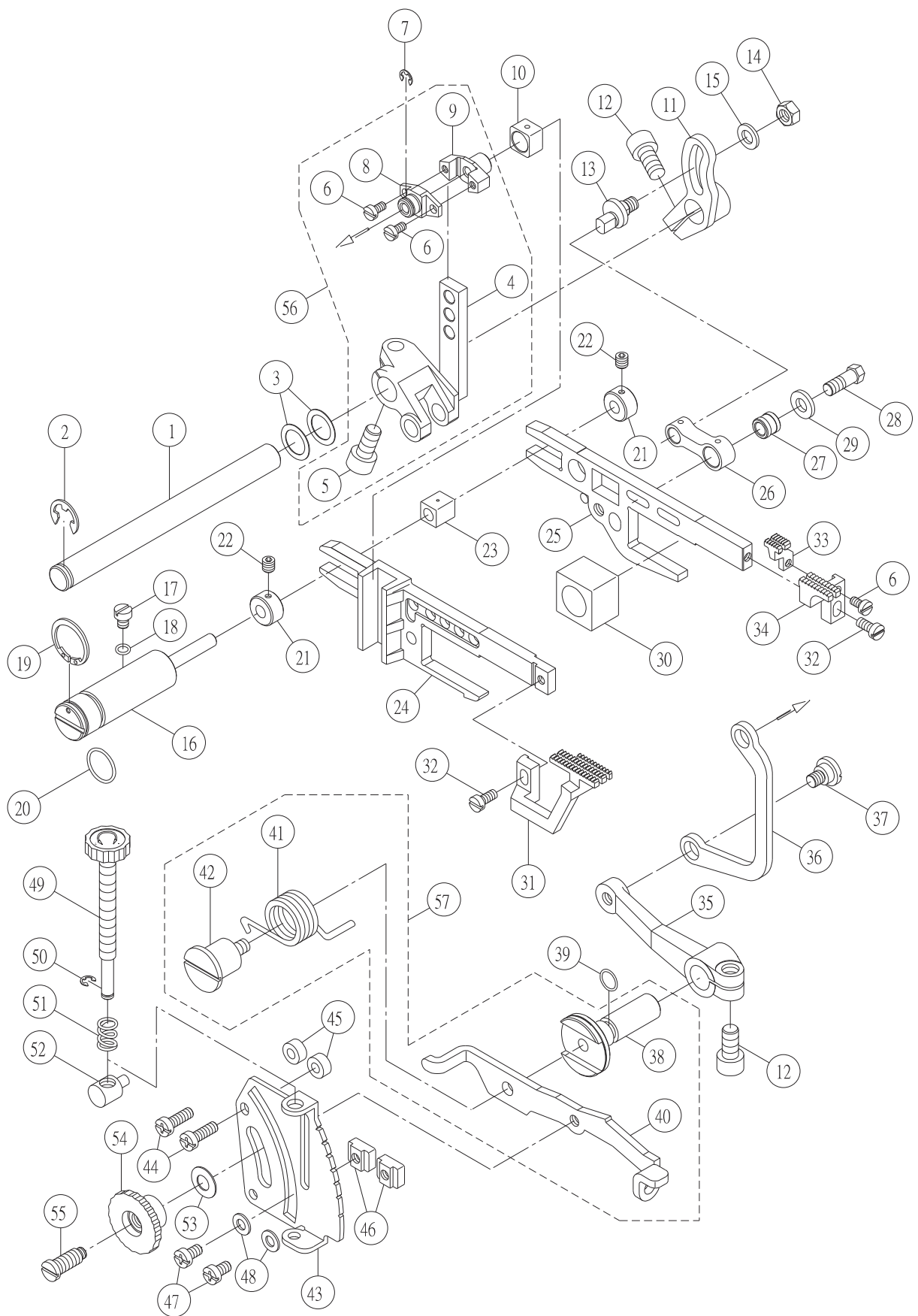


8.壓腳提昇機構Press Foot Components

序號	物料編號	名稱		單位用量
Ref. No.	Parts Number	Description		Amt.Req.
1	2120000801	軸	Shaft	1
2	8MN04280400A	螺絲	Screw	1
3	2120000803	軸襯	Bushing	1
4	8MC04281607D	螺絲	Screw	1
5	2120000805	彈簧	Spring	1
6	2120000806	拉桿	Level	1
7	2120000807	定位環	Collar	1
8	8MM06301210A	螺絲	Screw	1
9	2120000809	掛鉤	Lifting Hook	1
10	2120000810	拉桿	Level	1
11	2120000811	螺樁	Stud	1
12	2120000812	回復彈簧	Spring	1
13	2120000813	- - - - -	- - - - -	停用
14	8MB05322409A	- - - - -	- - - - -	停用
15	8MA05320408A	螺帽	Nut	2
16	2120000816	壓腳臂	Presser Arm	1
17	2100001004	連結銷	Pin	1
18	2120000818	割線刀	Chain Cutter	1
19	8MB03200406A	螺絲	Screw	1
20	2120000820	調節螺樁	Adjusting Screw	1
21	2120000821	螺帽	Nut	1
22	2120000822	彈簧	Spring	1
23	2120000823	壓桿	Presser Bar	1
24	2120000824	壓子	Plunger	1
25	2120000825	止動片	Stopper	1
26	2120000826	搬手	Lever	1
27	2120000827	彈簧	Spring	1
28	8MB04281412R	螺樁	Stud	1
29	*****	壓腳組	Presser Foot Asm.	
30	*****	壓腳組	Presser Foot Asm.	
31	*****	壓腳組	Presser Foot Asm.	
32	90SP0316	彈簧銷	Spring Pin	1
33	8MC04280807D	螺絲	Screw	2
34	8MC04280607D	螺絲	Screw	1
35	212A0000816	壓腳臂組	Presser Arm Asm.	1
36	21200008361	限位片	Stopper	1
37	2120000837	- - - - -	- - - - -	停用
38	2120000838	- - - - -	- - - - -	停用
39	8MK05322710A	螺絲	Screw	1
40	212A0000837	- - - - -	- - - - -	停用
41	8MK05321408A	螺絲	Screw	1

***** 詳細資料請參照附件
 ***** is one of the gauge parts

9. 進給驅動機構Feed Mechanism Components



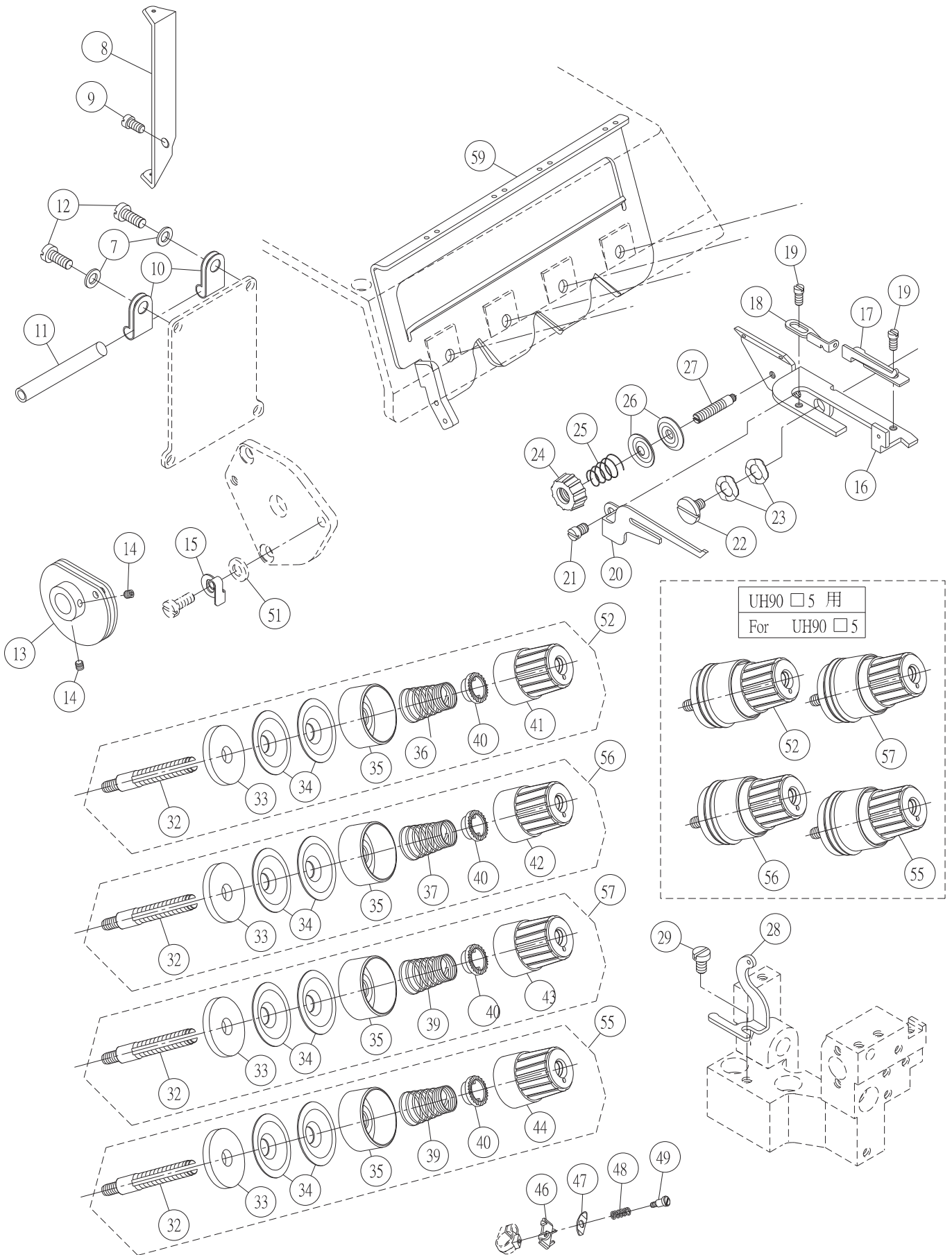
9. 進給驅動機構 Feed Mechanism Components

序號	物料編號	名稱		單位	用量
Ref. No.	Parts Number	Description		Amt.	Req.
1	2120000901	軸	Shaft		1
2	90ER070	扣環	E-Ring		1
3	2120000424	墊圈	Washer		2
4	2120000904	變距滑軌	Differential Feed Roker		1
5	8MM06401410A	螺絲	Screw		1
6	8MB03200606A	螺絲	Screw		3
7	90ER060	扣環	E-Ring		1
8	2120000908	滑塊檔板	Slider Cap		1
9	2120000909	滑塊	Slider		1
10	2120000910	滑塊	Slider Block		1
11	2120000911	曲柄	Crank		1
12	8MM06401210A	螺絲	Screw		2
13	2120000913	變距連結銷	Pin		1
14	8MA05320408A	螺帽	Nut		1
15	2200001025	墊圈	Washer		1
16	2120000916	懸臂軸	Shaft		1
17	8MB04280507A	螺絲	Screw		1
18	2120000918	油環	Gasket		1
19	2120000919	扣環	Ring		1
20	2120000608	油環	O-Ring		1
21	2120000921	定位環	Collar		2
22	8MN04280400A	螺絲	Screw		2
23	2120000923	滑塊	Block		1
24	2120000924	差動送布齒台架	Differential Feed Bar		1
25	2120000925	主動送布齒台架	Main Feed Bar		1
26	2120000926	連桿	Link		1
27	2120000526	隔環	Bushing		1
28	8MK05201307G	螺絲	Screw		1
29	2120000527	墊圈	Washer		1
30	2120000930	滑塊	Block		1
31	*****	差動送布齒	Differential Feed Dog		
32	8MB85240806A	螺絲	Screw		2
33	*****	輔助送布齒	Auxiliary Feed Dog		
34	*****	主送布齒	Main Feed Dog		
35	2120000935	拉桿	Lever		1
36	2120000936	吊桿	Link		1
37	8MB05320911G	螺樁	Stud		1
38	2120000938	樞軸	Shaft		1
39	90OR070	油環	O-Ring		1
40	2120000940	扳手	Lever		1
41	2120000941	彈簧	Spring		1
42	2120000942	螺樁	Stud		1
43	2120000943	指示板	Regulator Plate		1
44	8MC04281207D	螺絲	Screw		2
45	2120000945	隔環	Spacer		2
46	2120000946	限位環	Spacer		2
47	8MC04280607D	螺絲	Screw		2
48	2100000223	墊圈	Washer		2
49	2120000949	調節螺樁	Adjusting Screw		1
50	90ER030	扣環	E-Ring		1
51	2120000951	彈簧	Spring		1
52	2120000952	微調定位銷	Pin		1
53	2120000953	墊圈	Spring Washer		1
54	2120000954	螺帽	Nut		1
55	8MB06301608Q	螺絲	Screw		1
56	212A0000904	變距滑軌組	Differential Feed Roker		1
57	212A0000938	樞軸組	Shaft Asm.		1

***** 詳細資料請參照附件

***** is one of the gauge parts

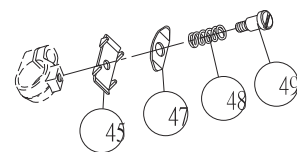
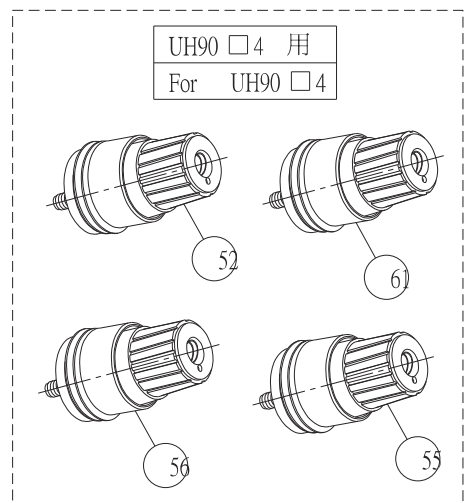
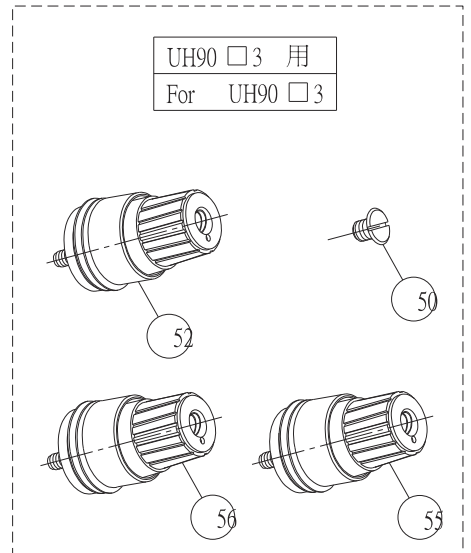
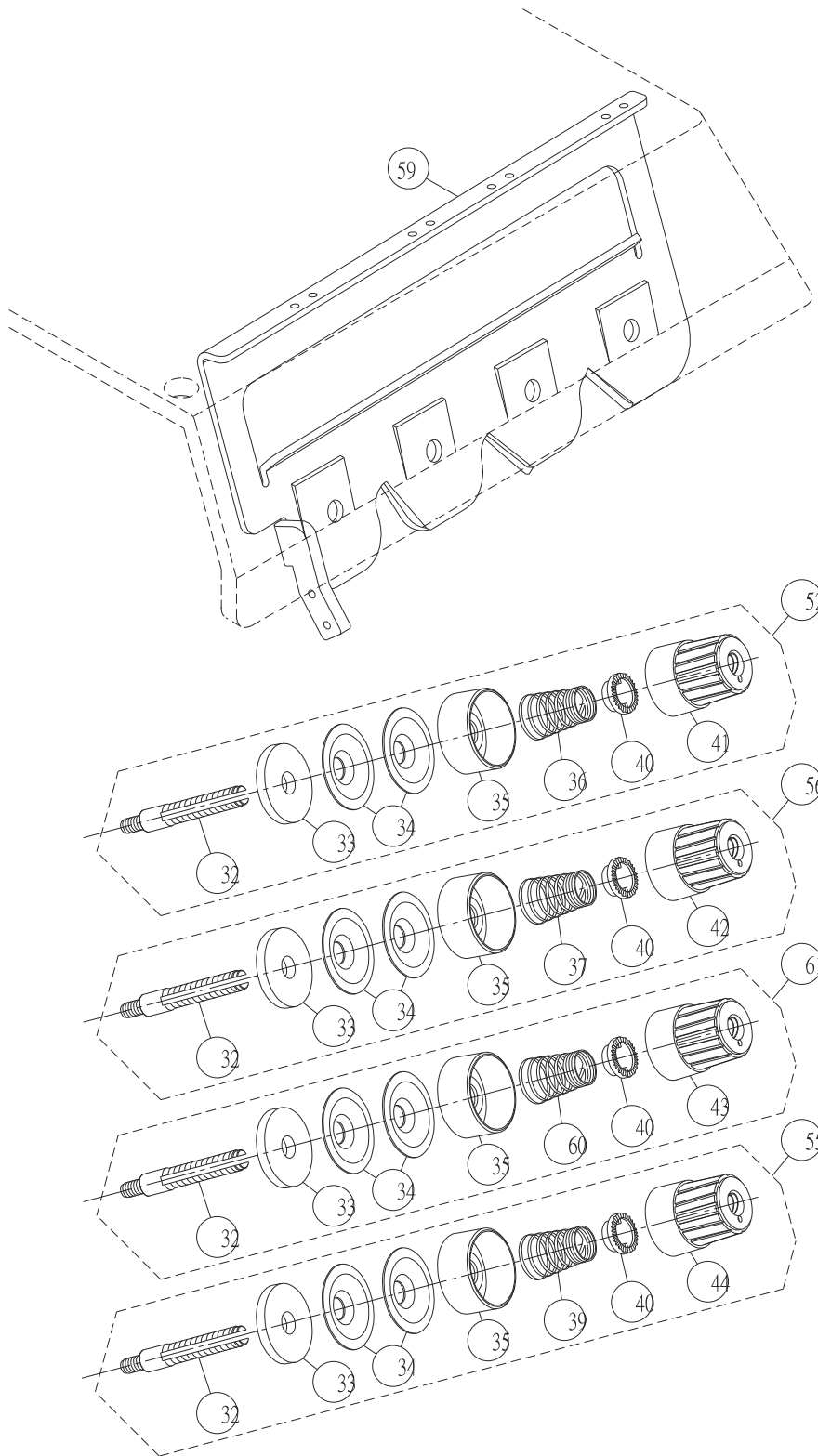
10. 縫線張力調節機構(UH90□5用) Thread Tension Components(For UH90□5 Only)



10. 縫線張力調節機構(UH90□5用) Thread Tension Components(For UH90□5 Only)

序號	物料編號	名稱		單位用量
Ref. No.	Parts Number	Description		Amt. Req.
7	2100000223	墊圈	Washer	2
8	2120051008	導線	Thread Guide	1
9	8MC04280507D	螺絲	Bracket	1
10	2120051010	管夾	Holder	2
11	2100051112	導線管	Thread Guide Tube	1
12	8MC04281207D	螺絲	Screw	2
13	2120051013	揚線凸輪	Thread Takeup	1
14	8MN03200300A	螺絲	Screw	2
15	2120051015	夾簧	Latch	1
16	2120051016	支架	Bracket	1
17	2120051017	導線	Thread Guide	1
18	2120051018	導線	Thread Guide	1
19	8MB03200406A	螺絲	Screw	2
20	2120051020	導線	Hook	1
21	8MC04280507D	螺絲	Screw	1
22	8MB04280711E	螺絲	Screw	1
23	2120000150	墊圈	Washer	2
24	2120051024	螺帽	Nut	1
25	2120051025	彈簧	Spring	1
26	2120051026	張力控制盤	Tension Disc	2
27	2120051027	螺樁	Stud	1
28	2120051028	導線	Thread Guide	1
29	8MC04281007D	螺絲	Screw	1
32	2100001120	螺樁	Stud	4
33	2100001127	羊毛氈	Felt	4
34	2100001126	張力控制盤	Tension Disc	8
35	2100001125	彈簧座	Tension Spring Retainer	4
36	2100001132	錐型彈簧(藍)	Spring (Blue)	1
37	2100041131	錐型彈簧(黃)	Spring (Yellow)	1
39	2100001123	錐型彈簧(紅)	Spring (Red)	2
40	2100001122	止滑齒環	Bush	4
41	2100001121	調節螺帽(藍)	Tension Nut (Blue)	1
42	2100001121	調節螺帽(黃)	Tension Nut (Yellow)	1
43	2100001121	調節螺帽(綠)	Tension Nut (Green)	1
44	2100001121	調節螺帽(紅)	Tension Nut (Red)	1
46	2120051046	穩線壓板座	Thread Guide Plate	1
47	2120001047	穩線壓板	Tension Control Plate	1
48	2120001048	彈簧	Spring	1
49	2120001049	螺樁	Stud	1
51	2120001051	墊圈	Washer	1
52	212A0001052	張力控制組(藍)	Tension Controlle Asm.	1
55	212A0001055	張力控制組(紅)	Tension Controlle Asm.	1
56	212A0001056	張力控制組(黃)	Tension Controlle Asm.	1
57	212A0051057	張力控制組(綠)	Tension Controlle Asm.	1
59	2120001059	導線板	Thread Guide Plate	1

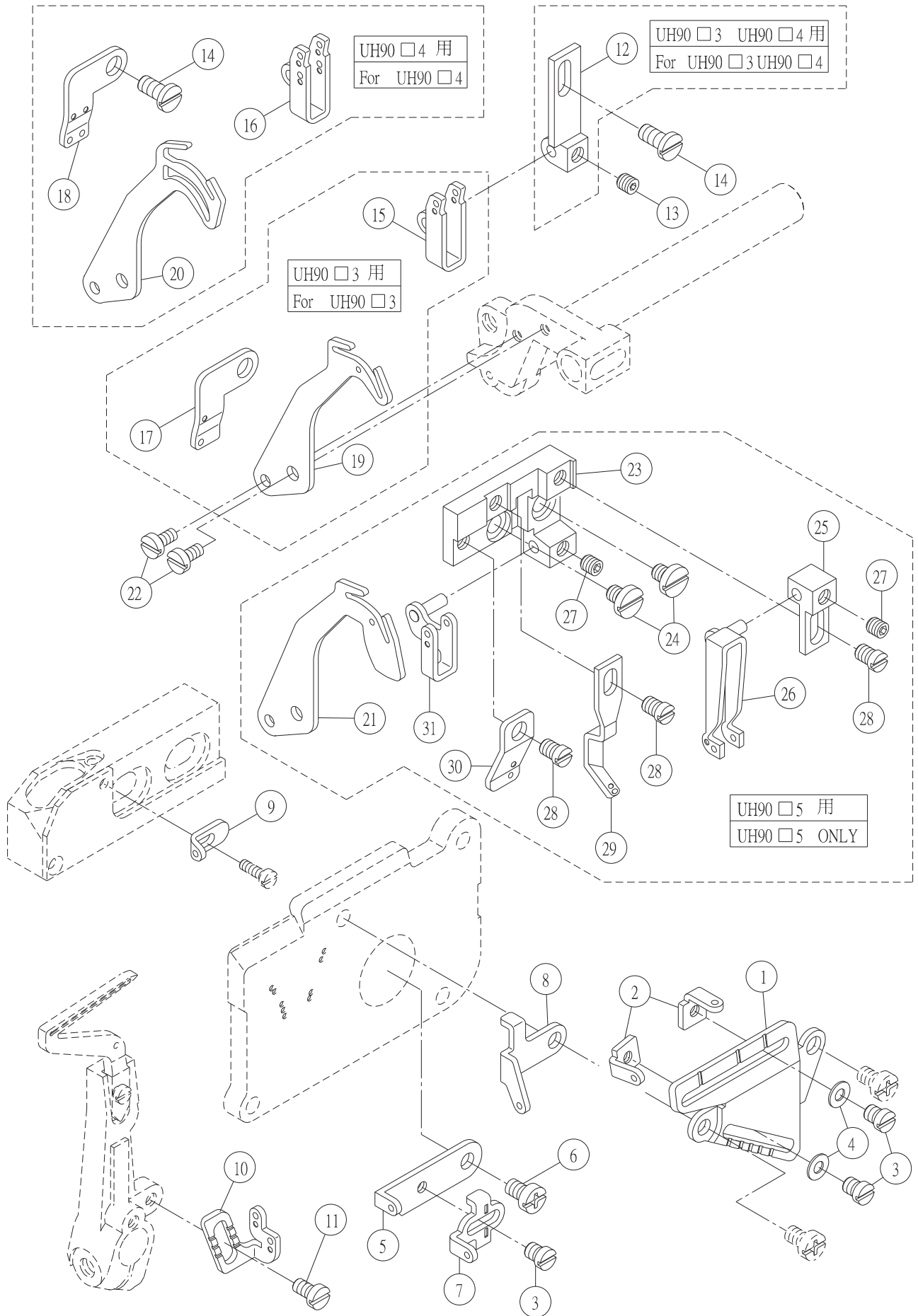
10-1. 縫線張力調節機構(UH90□3 UH90□4用) Thread Tension Components(For UH90□3 Uh90□4)



10-1. 縫線張力調節機構(UH90□3 UH90□4用) Thread Tension Components(For UH90□3 Uh90□4)

序號 Ref. No.	物料編號 Parts Number	名稱 Description	單位用量 Amt.Req.
1	2120001001	- - - - -	停用
2	2120001002	- - - - -	停用
3	2120001003	- - - - -	停用
4	2120001004	- - - - -	停用
5	8MC04280507D	- - - - -	停用
6	8MC04281207D	- - - - -	停用
7	2100000223	- - - - -	停用
30	2120001030	- - - - -	停用
31	2120001031	- - - - -	停用
32	2100001120	螺樁 Stud	3(3) 4(4)
33	2100001127	羊毛氈 Felt	3(3) 4(4)
34	2100001126	張力控制盤 Tension Disc	6(3) 8(4)
35	2100001125	彈簧座 Tension Spring Retainer	3(3) 4(4)
36	2100001132	錐型彈簧(藍) Spring (Blue)	1(3、4)
37	2100041131	錐型彈簧(黃) Spring (Yellow)	1(3、4)
39	2100001123	錐型彈簧(紅) Spring (Red)	1(3、4)
40	2100001122	止滑齒環 Bush	3(3) 4(4)
41	2100001121	調節螺帽(藍) Tension Nut (Blue)	1(3、4)
42	2100001121	調節螺帽(黃) Tension Nut (Yellow)	1(3、4)
43	2100001121	調節螺帽(綠) Tension Nut (Green)	1(4)
44	2100001121	調節螺帽(紅) Tension Nut (Red)	1(3、4)
45	2120031045	穩線壓板座 Thread Guide Plate	1(3、4)
47	2120001047	穩線壓板 Tension Control Plate	1(3、4)
48	2120001048	彈簧 Spring	1(3、4)
49	2120001049	螺樁 Stud	1(3、4)
50	8SB44400608K	螺絲 Screw	1(3)
52	212A0001052	張力控制組(藍) Tension Controlle Asm.	1(3、4)
55	212A0001055	張力控制組(紅) Tension Controlle Asm.	1(3、4)
56	212A0001056	張力控制組(黃) Tension Controlle Asm.	1(3、4)
59	2120001059	導線板 Thread Guide Plate	1
60	2100001124	錐型彈簧(綠) Spring (Green)	1(4)
61	212A0041054	張力控制組(綠) Tension Controlle Asm.	1(4)

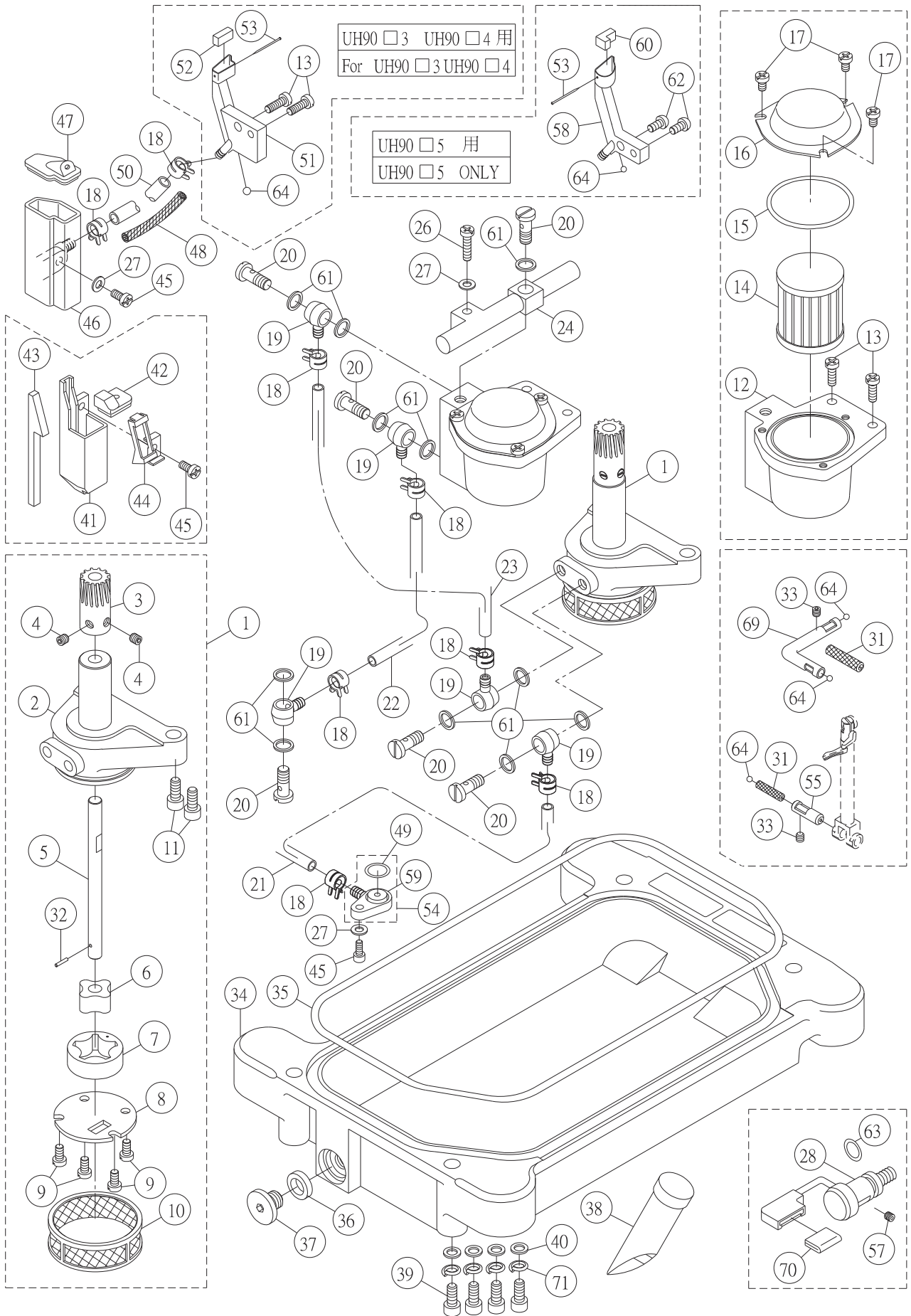
11. 導線揚線機構 Thread Guide And Thread Takeup



11. 導線揚線機構 Thread Guide And Thread Takeup

序號	物料編號	名稱		單位用量
Ref. No.	Parts Number	Description		Amt. Req.
1	2120001101	導線座	Bracket	1
2	2120001102	導線	Thread Guide (Right)	2
3	8MB03200406A	螺絲	Screw	3
4	90PW030	墊圈	Washer	2
5	2120001105	導線	Thread Takeup	1
6	8MC04280807D	螺絲	Screw	1
7	2120001107	導線	Thread Guide	1
8	2120001108	導線	Thread Guide	1
9	2120001109	導線	Thread Guide	1
10	2120001110	導線	Thread Takeup	1
11	8MB85240607K	螺絲	Screw	1
12	21200311121	導線座	Bracket	1
13	8MN04280400A	螺絲	Screw	1
14	8MC04280607D	螺絲	Screw	2
15	2120031115	導線	Thread Guide	1
16	2120041116	導線	Thread Guide	1
17	2120031117	導線	Thread Guide	1
18	2120041118	導線	Thread Guide	1
19	2120031119	揚線環	Thread Takeup	1
20	2120041120	揚線環	Thread Takeup	1
21	2120051121	揚線環	Thread Takeup	1
22	8MB03200606A	螺絲	Screw	2
23	2120051123	導線座	Bracket	1
24	8MB04280807A	螺絲	Screw	2
25	2120051125	支架	Bracket	1
26	2120051126	導線	Thread Guide	1
27	8MN04280400A	螺絲	Screw	2
28	8MB04280507A	螺絲	Screw	3
29	2120051129	導線	Thread Guide	1
30	2120051130	導線	Thread Guide	1
31	2120051131	導線	Thread Guide	1

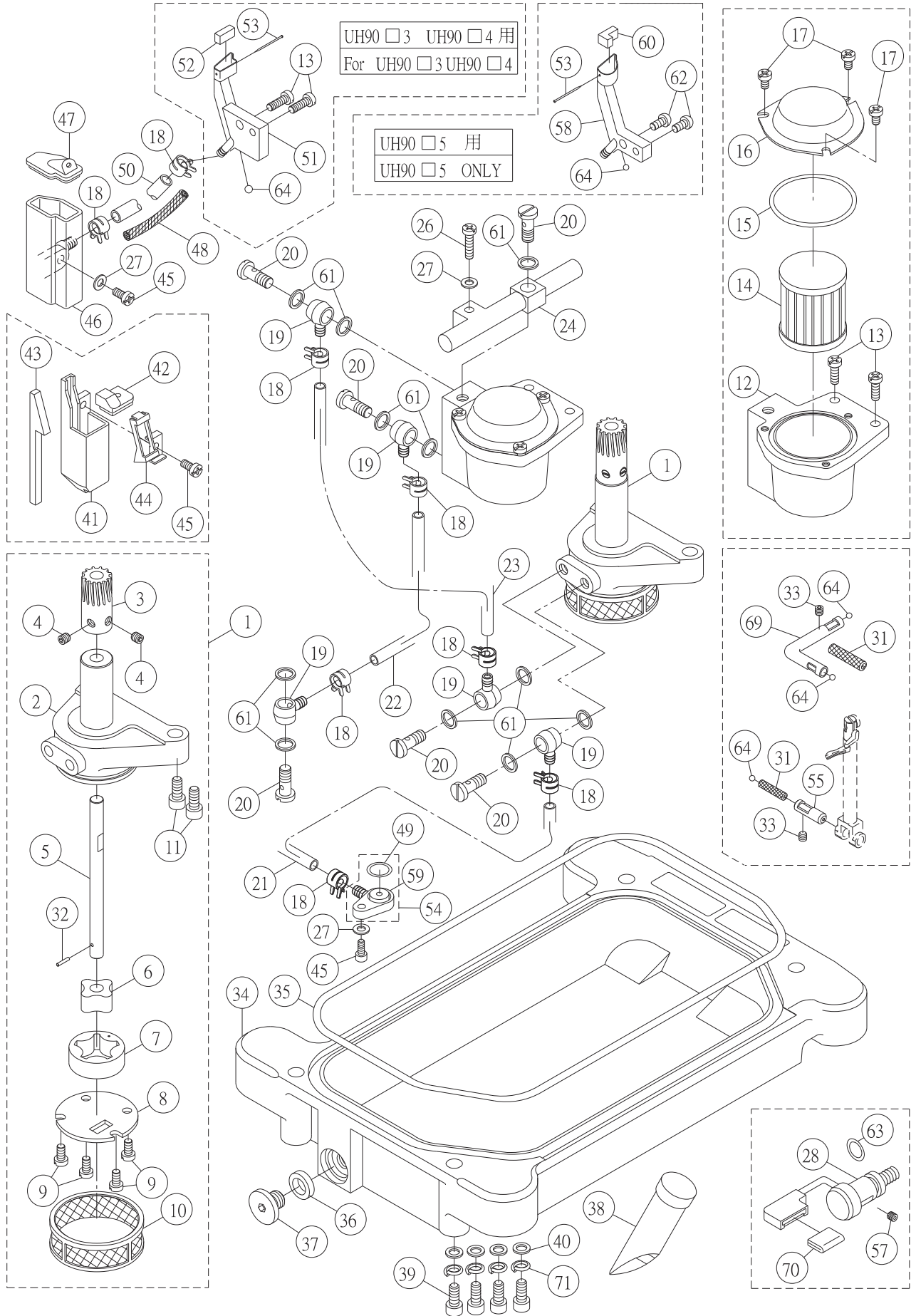
12. 潤滑冷卻機構 Lubrication And Cooling Mechanism



12.潤滑冷卻機構 Lubrication And Cooling Mechanism

序號	物料編號	名稱		單位	用量
Ref. No.	Parts Number	Description		Amt.	Req.
1	212A0001202	泵浦組	Pump Asm.	1	1
2	2120001202	泵浦本體	Pump Seat	1	1
3	2120001203	蝸母	Worm Gear	1	1
4	8MN05320400A	螺絲	Screw	2	2
5	2120001205	軸	Shaft	1	1
6	2120001206	內轉子	Inside Rotor	1	1
7	2120001207	外轉子	Outside Rotor	1	1
8	2120001208	封蓋	Cover	1	1
9	8MC04280807D	螺絲	Screw	4	4
10	2120001210	濾網	Filter	1	1
11	8MB04281607A	螺絲	Screw	2	2
12	2120001212	濾心座	Filter Seat	1	1
13	8MC04281207D	螺絲	Screw	4	4
14	2100001521	濾心	Oil Filter	1	1
15	2120001215	油環	O-Ring	1	1
16	2120001216	封蓋	Cover	1	1
17	8MC04280607D	螺絲	Screw	3	3
18	2100001536	管夾	Tube	8	8
19	2100001535	接頭	Joint	5	5
20	2120001220	迴路螺椿	Stud	6	6
21	66792	油管	Oil Tube	1	1
22	66792	油管	Oil Tube	1	1
23	66792	油管	Oil Tube	1	1
24	2120001224	分油管	Oil Distributor	1	1
26	8MC04281607D	螺絲	Screw	1	1
27	2100000223	墊圈	Washer	3	3
28	2120001228	聚油環	Felt Housing	1	1
30	2120001230	-	-		停用
31	2120000612	羊毛氈	Felt	2	2
32	90SP0210	彈簧銷	Pin	1	1
33	8MN04280400A	螺絲	Screw	2	2
34	2120001234	油盤	Oil Reservoir	1	1
35	2120001235	油封	Gasket	1	1
36	2100000244	油封	Gasket	1	1
37	8SM95281017A	螺絲	Screw	1	1
38	2110001507	油面鏡	Oil Sight Window	1	1
39	8MM05321209A	螺絲	Screw	4	4
40	2120001240	墊圈	Washer	4	4
41	2120001241	油壺	Silicone Oil Reservoir (Upper)	1	1
42	2120001242	油壺蓋	Cover	1	1
43	2120001243	羊毛氈	Felt	1	1
44	2120001244	護蓋	Cover	1	1
45	8MC04281007D	螺絲	Screw	3	3
46	2120001246	油壺	Silicone Oil Reservoir (Lower)	1	1
47	2120001247	油壺蓋	Cover	1	1
48	66800	油線	Oil Wick	1	1
49	2120001249	油環	O-Ring	1	1
50	66792	油管	Oil Tube	1(3、4)	1(5)

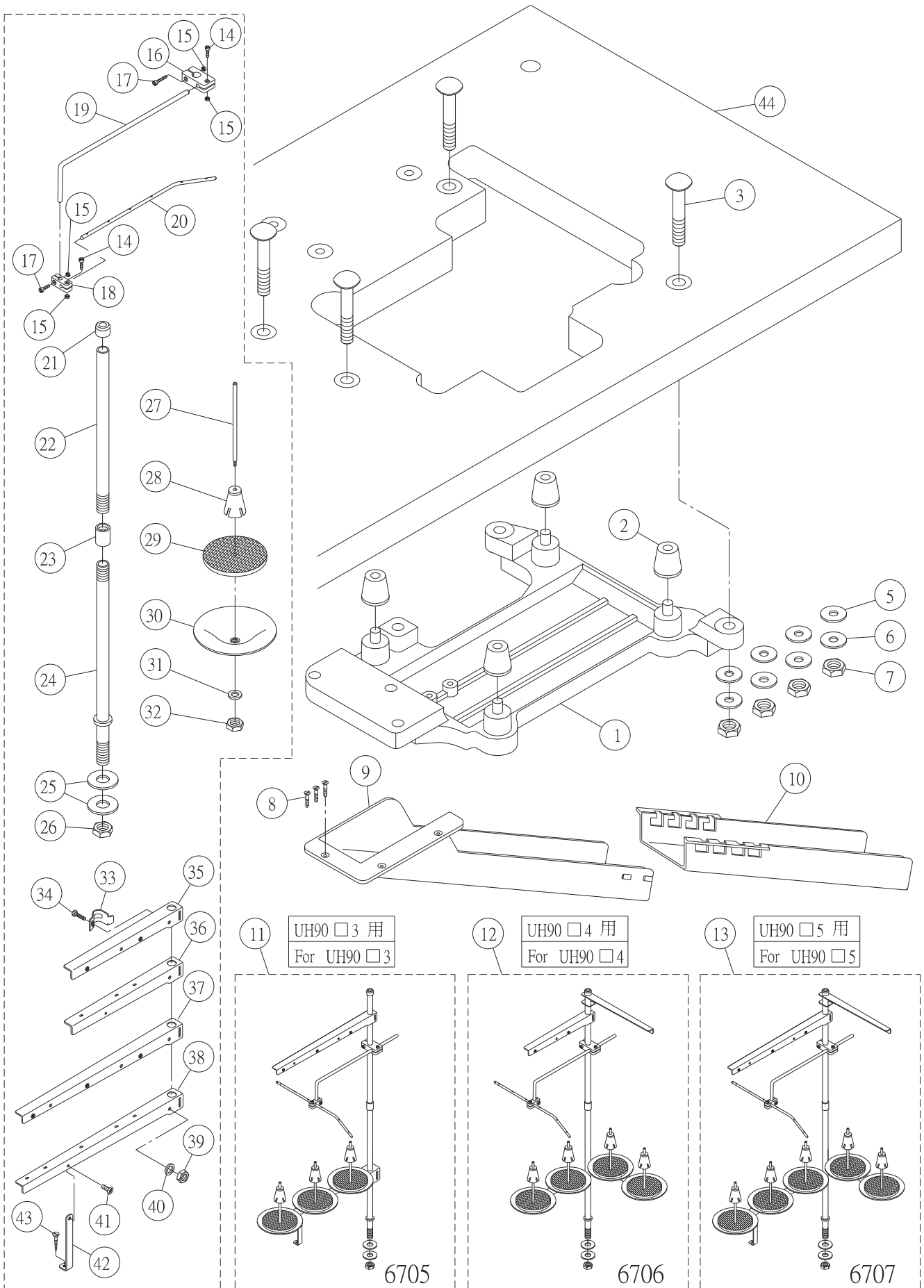
12. 潤滑冷卻機構 Lubrication And Cooling Mechanism



12.潤滑冷卻機構 Lubrication And Cooling Mechanism

序號	物料編號	名稱	單位用量
Ref. No.	Parts Number	Description	Amt.Req.
51	2120031251	針冷卻器	1
52	2120031252	羊毛氈	1
53	2120001253	大頭針	1(3、4) 1(5)
54	212A0001254	接頭組	1
55	2120001255	黃銅管	1
56	66800	-----	停用
57	8MN04280400A	螺絲	1
58	2120051258	針冷卻器	1
59	2120001259	接頭	1
60	2120051260	羊毛氈	1
61	2100001534	墊圈	11
62	8MC04280807D	螺絲	2
63	90OR070	油環	1
64	2120001264	孔塞	4(3、4) 4(5)
65	2120001265	-----	停用
66	2120001266	-----	停用
67	2120001267	-----	停用
68	2120001268	-----	停用
69	2120001269	潤滑油管	1
70	2120001270	羊毛氈	1
71	90SW050	彈簧墊圈	4

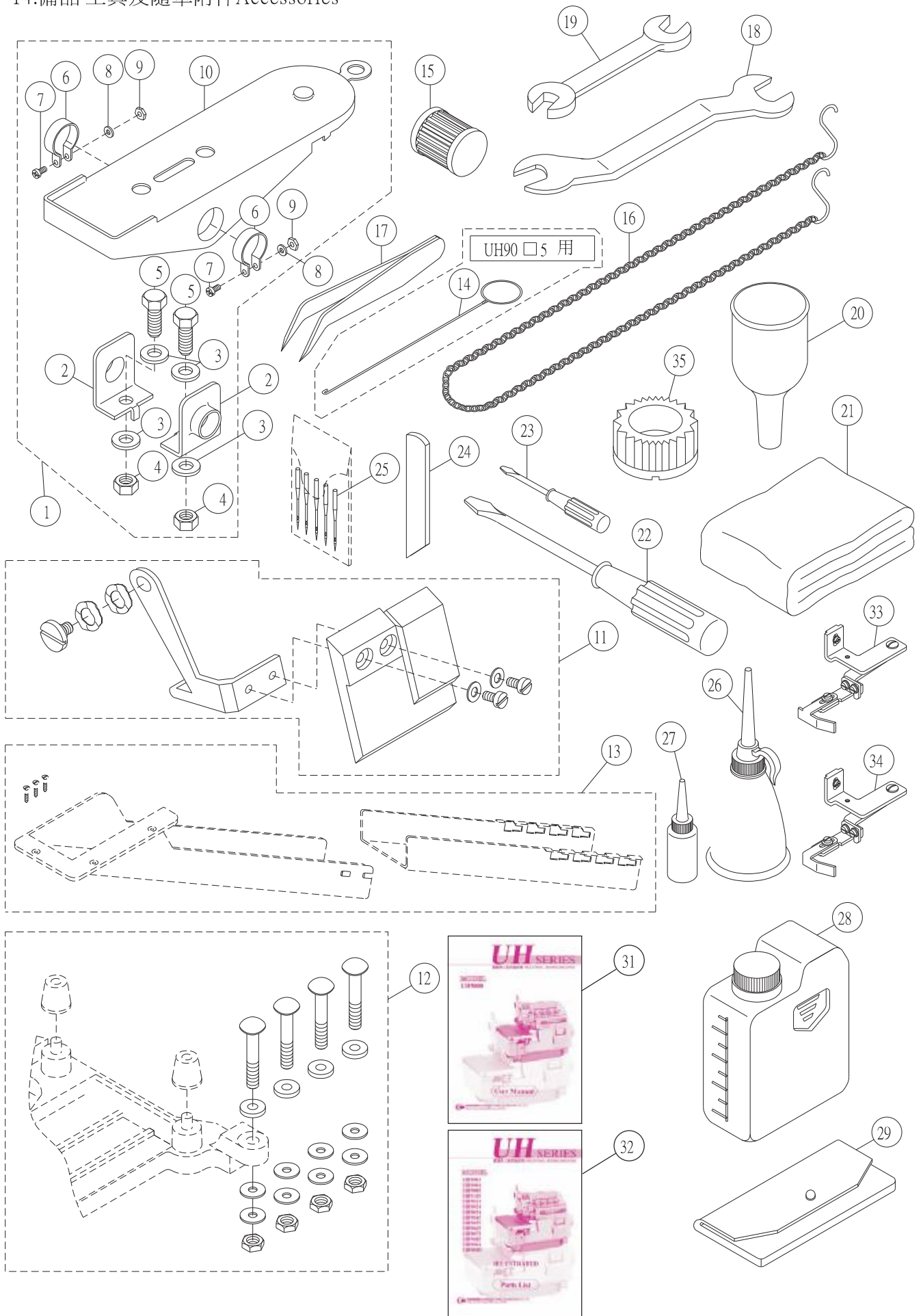
13.半沉式車板裝置Parts For Semi-Submerged Installation



13.半沉式車板裝置Parts For Semi-Submerged Installation

序號	物料編號	名稱	單位	用量
Ref. No.	Parts Number	Description	Amt.	Req.
1	66911	托底板	Frame Support Plate	1
2	66941	防震墊	Rubber	4
3	66956	懸吊螺樁	Stud	4
4	669111	- - - - -	- - - - -	停用
5	90PW100	墊圈	Washer	4
6	90PW1001	墊圈	Washer	4
7	8SA10160714A	螺帽	Nut	4
8	8WF03131706A	木螺絲	Wood Screw	3
9	66820-1	上導布屑	Waste Chute	1
10	66820-2	下導布屑	Waste Chute	1
11	66705	線架組	Thread Stand Asm.	1
12	66706	線架組	Thread Stand Asm.	1
13	66707	線架組	Thread Stand Asm.	1
14	667058	螺絲	Screw	2
15	667059	螺帽	Nut	4
16	667057	接頭	Bracket	1
17	6670510	螺絲	Screw	2
18	6670512	接頭	Bracket	1
19	6670511	旋臂	Arm	1
20	6670513	導線桿	Thread Guide	1
21	667051	柱帽	Rod Cup	1
22	667052	上柱	Upper Thread Stand Rod	1
23	667053	接頭	Joint	1
24	667054	下柱	Lower Thread Stand Rod	1
25	667055	墊圈	Washer	2
26	667056	螺帽	Nut	1
27	6670515	線盤軸	Spool Pin	1
28	6670516	定心椎	Spool Retaining Fig	1
29	6670517	緩衝墊	Seat	1
30	6670518	線盤	Spool Tray	1
31	6670519	彈簧墊圈	Spring Washer	1
32	6670520	螺帽	Nut	1
33	6670523	夾板	Clamp	2
34	6670524	螺絲	Screw	1
35	6670531	導線	Thread Guide	2(4) 1(5)
36	667061	線盤座	Spool Set Bracket	2(4) 1(5)
37	6670521	導線臂	Thread Guide	1(3、5)
38	6670522	線盤座	Thread Guide	1(3、5)
39	6670526	螺帽	Nut	1
40	6670525	彈簧墊圈	Spring Washer	1
41	6670528	螺絲	Screw	1(3、5)
42	6670527	撐桿	Support Rod	1(3、5)
43	6670530	木螺絲	Wood Screw	1(3、5)
44	66814-1	車板上載式	Table	1

14. 備品 工具及隨車附件Accessories



14.備品 工具及隨車附件Accessories

序號	物料編號	名稱		單位用量
Ref. No.	Parts Number	Description		Amt.Req.
1	66700	踏板組	Pedal Set	1
2	667002	樞軸	Bearing	2
3	667003	墊圈	Washer	4
4	667004	螺帽	Nut	2
5	667005	螺絲	Screw	2
6	667006	扣環	Snap Ring	2
7	667007	螺絲	Screw	2
8	667008	墊圈	Washer	2
9	667009	螺帽	Nut	2
10	667001	踏板	Pedal	1
11	212A0000161	護目鏡	See Page II	1
12	*****	托底板	See Page Installation	1
13	66820	導布屑	See Page Installation	1
14	66840	穿線鋼絲	Threading Bar	1
15	2100001521	濾油器	Cartridge Filter	1
16	66695	傳動鍊	Chain	1
17	66690	夾子	Tweezers	1
18	66625	開口板手12*14MM	Wrench	1
19	66613	M8 開口板手	Wrench	1
20	66722	油漏斗	Oil Funnel	1
21	66845	防塵罩	Cover	1
22	66665	長平口起子	Screwdriver	1
23	66667	小平口起子	Screwdriver	1
24	2120000715	下刀	Lower Knife	1
25	66732-11-5	針	Needle	1
26	66721	油瓶	Container	1
27	66720	油壺	Oiler	1
28	66715	油罐	Oil Container	1
29	66831	工具袋	Accessories Bag	1
30	66666	- - - - -	- - - - -	停用
31	6UH9000-5	使用說明書	Instruction Manual	1
32	6UH9000-3	零件冊	Parts List	1
*33	/EG006	導邊器組	Edge Guide Set	1
**34	/EG007	導邊器組	Edge Guide Set	1
35	66685	油鏡裝配工具	Oil Sight Window Wrench	1

*for UH9003 UH9004

**for UH9005

***** 資料參照 半沉式車板裝置

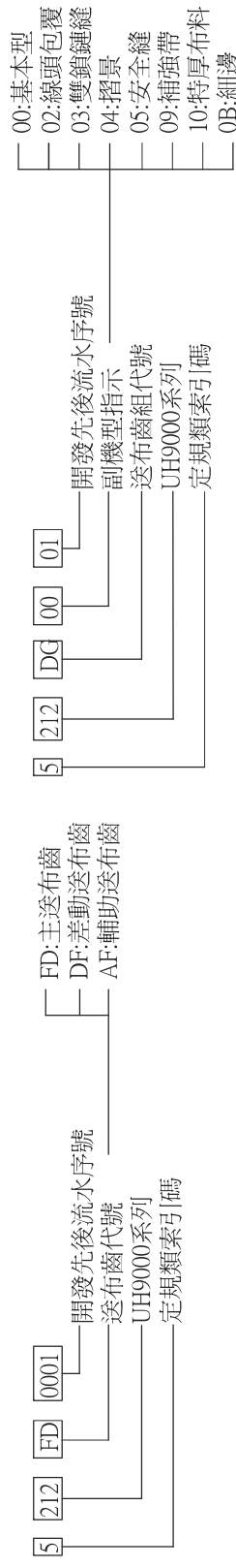
UH9000 系列車型零件一覽表 Series Gauge Parts List

機型 Machinetype	針板 Needle Plate	壓腳組 Presser Foot Asm.	送布齒組 Feed Dog Asm.	縫針座 Needle Holder	上結線鉤 Upper Looper	下結線鉤 Lower Looper	活動導針 Rear Needle Guard	前導針 Front Needle Guard	縫針 Needle
UH90B3-021-F02	5212TP0027	5212PF0B02	5212DG0B01	5212NC0003	5212UL0004	5212LL0001	5212NG0002	5212NG0001	66732-9
UH90B3-021-F04	5212TP0014	5212PF0B02	5212DG0B01	5212NC0003	5212UL0004	5212LL0001	5212NG0002	5212NG0001	66732-9
UH9003-032-M04	5212TP0013	5212PF0005	5212DG0001	5212NC0003	5212UL0002	5212LL0001	5212NG0002	5212NG0001	66732-11
UH9003-053-M04	5212TP0020	5212PF0002	5212DG0002	5212NC0003	5212UL0002	5212LL0001	5212NG0002	5212NG0001	66732-11
UH9003-053-H04	5212TP0011	5212PF0002	5212DG0901	5212NC0003	5212UL0002	5212LL0001	5212NG0002	5212NG0001	66732-14
UH9013-032-L05	5212TP0013	5212PF0101	5212DG0001	5212NC0003	5212UL0002	5212LL0001	5212NG0002	5212NG0001	66732-9
UH9023-032-M04	5212TP0055	5212PF0201	5212DG0201	5212NC0003	5212UL0002	5212LL0001	5212NG0002	5212NG0001	66732-11
UH9083-053-H04	5212TP0011	5212PF0801	5212DG0901	5212NC0003	5212UL0002	5212LL0001	5212NG0002	5212NG0001	66732-14
UH9084-243-H14	5212TP0026	5212PF0802	5212DG0901	5212NC0001	5212UL0002	5212LL0001	5212NG0002	5212NG0001	66732-14
UH9004-232-M14	5212TP0018	5212PF0003	5212DG0001	5212NC0001	5212UL0002	5212LL0001	5212NG0002	5212NG0001	66732-11
UH9004-232A-M14	5212TP0028	5212PF0003	5212DG0201	5212NC0001	5212UL0002	5212LL0001	5212NG0002	5212NG0001	66732-11
UH9004-233-M14	5212TP0016	5212PF0003	5212DG0002	5212NC0001	5212UL0002	5212LL0001	5212NG0002	5212NG0001	66732-11
UH9004-242-M14	5212TP0022	5212PF0003	5212DG0201	5212NC0001	5212UL0002	5212LL0001	5212NG0002	5212NG0001	66732-11
UH9004-243-M14	5212TP0015	5212PF0004	5212DG0002	5212NC0001	5212UL0002	5212LL0001	5212NG0002	5212NG0001	66732-11
UH9004-253-M14	5212TP0024	5212PF0004	5212DG0002	5212NC0001	5212UL0002	5212LL0001	5212NG0002	5212NG0001	66732-11
UH9004-253-H14	5212TP0025	5212PF0004	5212DG0002	5212NC0001	5212UL0002	5212LL0001	5212NG0002	5212NG0001	66732-14
UH9004-263-M14	5212TP0021	5212PF0006	5212DG0002	5212NC0001	5212UL0002	5212LL0001	5212NG0002	5212NG0001	66732-11
UH9004-353-M12	5212TP0023	5212PF0007	5212DG0007	5212NC0006	5212UL0002	5212LL0001	5212NG0002	5212NG0001	66732-11
UH9024-242-M14	5212TP0056	5212PF0202	5212DG0201	5212NC0001	5212UL0002	5212LL0003	5212NG0002	5212NG0001	66732-11
UH9094-243-H14	5212TP0019	5212PF0902	5212DG0901	5212NC0001	5212UL0003	5212LL0002	5212NG0002	5212NG0001	66732-14
UH9004-243E-M14	5212TP0015	5212PF0902	5212DG0002	5212NC0001	5212UL0002	5212LL0001	5212NG0002	5212NG0001	66732-11
UH9044-243-M14	5212TP0015	5212PF0404	5212DG0404	5212NC0001	5212UL0002	5212LL0001	5212NG0002	5212NG0001	66732-11
UH9064-243-M14	5212TP0015	5212PF0601	5212DG0002	5212NC0001	5212UL0002	5212LL0001	5212NG0002	5212NG0001	66732-11
UH9074-243-M14	5212TP0015	5212PF0601	5212DG0404	5212NC0001	5212UL0002	5212LL0001	5212NG0002	5212NG0001	66732-11

UH9000 系列車型零件一覽表 Series Gauge Parts List

機型 Machinetype	針板 Needle Plate	壓腳組 Presser Foot Asm.	送布齒組 Feed Dog Asm.	縫針座 Needle Holder	上結線鉤 Upper Looper	下結線鉤 Lower Looper	活動導針 Rear Needle Guard	前導針 Front Needle Guard	縫導針 Needle Guard	縫導針 Needle Guard	縫結線鉤 Needle Looper	縫針 Needle
UH9005-232-L16	5212TP0035	5212PF0013	5212DG0003	5212NC0005	5212UL0002	5212LL0001	5212NG0002	5212NG0005	5212NG0003	5212NG0004	5212CL0001	66732-11
UH9005-332C-L16	5212TP0032	5212PF0012	5212DG0003	5212NC0004	5212UL0002	5212LL0001	5212NG0002	5212NG0005	5212NG0003	5212NG0004	5212CL0001	66732-11
UH9005-332-M16	5212TP0032	5212PF0010	5212DG0003	5212NC0004	5212UL0002	5212LL0001	5212NG0002	5212NG0005	5212NG0003	5212NG0004	5212CL0001	66732-11
UH9005-352-M16	5212TP0036	5212PF0010	5212DG0003	5212NC0004	5212UL0002	5212LL0001	5212NG0002	5212NG0005	5212NG0003	5212NG0004	5212CL0001	66732-11
UH9005-353-M16	5212TP0031	5212PF0010	5212DG0004	5212NC0004	5212UL0002	5212LL0001	5212NG0002	5212NG0005	5212NG0003	5212NG0004	5212CL0001	66732-11
UH9005-553-M16	5212TP0030	5212PF0011	5212DG0005	5212NC0002	5212UL0002	5212LL0001	5212NG0002	5212NG0005	5212NG0003	5212NG0004	5212CL0001	66732-11
UH9005-553-H16	5212TP0039	5212PF0011	5212DG0006	5212NC0002	5212UL0002	5212LL0001	5212NG0002	5212NG0005	5212NG0003	5212NG0004	5212CL0001	66732-16
UH9045-353-M16	5212TP0038	5212PF0402	5212DG0401	5212NC0004	5212UL0002	5212LL0001	5212NG0002	5212NG0005	5212NG0003	5212NG0004	5212CL0001	66732-11
UH9055-353-M16	5212TP0040	5212PF0501	5212DG0501	5212NC0004	5212UL0002	5212LL0001	5212NG0002	5212NG0005	5212NG0003	5212NG0004	5212CL0001	66732-11
UH9065-353-M16	5212TP0031	5212PF0703	5212DG0004	5212NC0004	5212UL0002	5212LL0001	5212NG0002	5212NG0005	5212NG0003	5212NG0004	5212CL0001	66732-11
UH9075-353-M16	5212TP0038	5212PF0703	5212DG0401	5212NC0004	5212UL0002	5212LL0001	5212NG0002	5212NG0005	5212NG0003	5212NG0004	5212CL0001	66732-11
UH9075/A-353-M16	5212TP0038	5212PF0701	5212DG0401	5212NC0004	5212UL0002	5212LL0001	5212NG0002	5212NG0005	5212NG0003	5212NG0004	5212CL0001	66732-11
UH9105-553-X16	5212TP0043	5212PF1001	5212DG1001	5212NC1001	5212UL0006	5212LL0002	5212NG0002	5212NG0005	5212NG0003	5212NG0004	5212CL0001	66732-19
UH9006-3243-M44	5212TP0041	5212PF0015	5212DG0005	5212NC0007	5212UL0002	5212LL0001	5212NG0002	5212NG0005	5212NG0003	5212NG0004	5212CL0001	66732-11
UH9006-5243-M44	5212TP0042	5212PF0014	5212DG0005	5212NC0008	5212UL0002	5212LL0001	5212NG0002	5212NG0005	5212NG0003	5212NG0004	5212CL0001	66732-11
UH9034-503-M45	5212TP3401	5212PF0301	5212DG0301	5212NC1001	-	-	5212NG0007	5212NG0006	5212NG0003	5212NG0004	5212CL0003	66732-11
UH9002-032-M02	5212TP0013	5212PF0005	5212DG0001	5212NC0003	5212UL0007	5212LL0001	5212NG0002	5212NG0001	5212NG0001	5212NG0001	5212NG0001	66732-11
UH9002-052-M02	5212TP0020	5212PF0002	5212DG0002	5212NC0003	5212UL0007	5212LL0001	5212NG0002	5212NG0001	5212NG0001	5212NG0001	5212NG0001	66732-11

UH90□3 UH90□4 UH90□5 系列送布齒列表



送布齒組件編號	5212DG0001	送布齒組件編號	5212DG0002	送布齒組件編號	5212DG0003	送布齒組件編號	5212DG0004	送布齒組件編號	5212DG0005
1 主送布齒	5212FD0002	1 主送布齒	5212FD0001	1 主送布齒	5212FD0010	1 主送布齒	5212FD0011	1 主送布齒	5212FD0011
2 差動送布齒	5212DF0003	2 差動送布齒	5212DF0001	2 差動送布齒	5212DF0006	2 差動送布齒	5212DF0005	2 差動送布齒	5212DF0002
3 輔助送布齒	5212AF0001	3 輔助送布齒	5212AF0001	3 輔助送布齒	5212AF0001	3 輔助送布齒	5212AF0001	3 輔助送布齒	5212AF0001
送布齒組件編號	5212DG0006	送布齒組件編號	5212DG0007	送布齒組件編號	5212DG0201	送布齒組件編號	5212DG0301	送布齒組件編號	5212DG0401
1 主送布齒	5212FD0016	1 主送布齒	5212FD0005	1 主送布齒	5212FD0003	1 主送布齒	5212FD0018	1 主送布齒	5212FD0014
2 差動送布齒	5212DF0008	2 差動送布齒	5212DF0013	2 差動送布齒	5212DF0004	2 差動送布齒	5212DF0015	2 差動送布齒	5212DF0009
3 輔助送布齒	5212AF0001	3 輔助送布齒	5212AF0001	3 輔助送布齒	5212AF0001	3 輔助送布齒	5212AF0005	3 輔助送布齒	5212AF0001
送布齒組件編號	5212DG0404	送布齒組件編號	5212DG0501	送布齒組件編號	5212DG0901	送布齒組件編號	5212DG1001	送布齒組件編號	5212DG0B01
1 主送布齒	5212FD0019	1 主送布齒	5212FD0011	1 主送布齒	5212FD0004	1 主送布齒	5212FD0017	1 主送布齒	5212FD0015
2 差動送布齒	5212DF0016	2 差動送布齒	5212DF0010	2 差動送布齒	5212DF0011	2 差動送布齒	5212DF0014	2 差動送布齒	5212DF0012
3 輔助送布齒	5212AF0001	3 輔助送布齒	5212AF0001	3 輔助送布齒	5212AF0001	3 輔助送布齒	5212AF0004	3 輔助送布齒	5212AF0002

UH90 □ 3 UH90 □ 4 系列壓腳組件(零件)一覽表

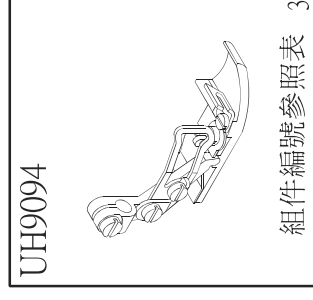
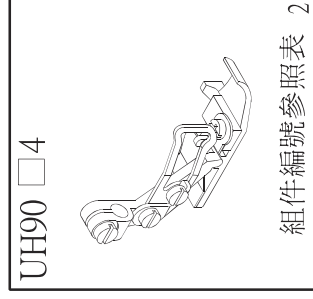
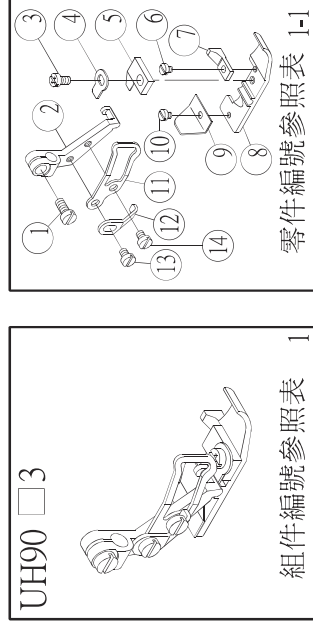


表 1

機	型	壓腳組件編號
UH9003-032-M04		5212PF0005
UH9003-053-M04		5212PF0002
UH9003-053-H04		5212PF0002
UH9023-032-M04		5212PF0201
UH9002-032-M02		5212PF0005
UH9002-053-M02		5212PF0002

表 1-1

序號	零件編號	序號	零件編號
1	8MB85240806P	8	參照表 1-2
2	5212PF0002C	9	5212PF0002E
3	8SB2440606A	10	8SB24560305P
4	5212PF0002H	11	5212PF0002G
5	參照表 1-2	12	5212PF0002F
6	8SB24560405P	13	8MB03200506A
7	5212PF0002D	14	8MB03200406K

表 1-2

組件編號	序號	序號	零件編號
5212PF0002	5	8	
5212PF0005			5212PF0002B
5212PF0201			5212PF0005B
			5212PF0201B
			5212PF0201A

表 2

機	型	壓腳組件編號
UH9004-232-M14		5212PF0003
UH9004-232A-M14		5212PF0003
UH9004-233-M14		5212PF0003
UH9004-242-M14		5212PF0003
UH9004-243-M14		5212PF0004
UH9004-253-M14		5212PF0004
UH9004-253-H14		5212PF0004
UH9004-263-M14		5212PF0006
UH9004-353-M12		5212PF0007
UH9024-242-M14		5212PF0202

表 2-1

序號	零件編號	序號	零件編號
1	8MB85240806P	8	參照表 2-2
2	參照表 2-2	9	5212PF0002E
3	8SB2440606A	10	8SB24560305P
4	5212PF0002H	11	5212PF0002G
5	參照表 2-2	12	5212PF0002F
6	8SB24560405P	13	8MB03200506A
7	5212PF0002D	14	8MB03200406K

表 2-2

組件編號	序號	序號	零件編號
5212PF0003	2	5	8
5212PF0004			5212PF0003B
5212PF0006			5212PF0004B
5212PF0007			5212PF0006B
5212PF0202			5212PF0013C
			5212PF0002C
			5212PF0202B
			5212PF0201A

表 3

機	型	壓腳組件編號
UH9004-243E-M14		5212PF0902
UH9094-243-H14		5212PF0902

表 3-1

序號	零件編號	序號	零件編號
1	8MB85240806P	8	5210PF94A43B
2	5212PF0002C	9	5210PF03032E
3	8SB32440505A	10	8SB24560205A
4	5212PF0002H	11	5212PF0002G
5	5212PF0902B	12	5212PF0002F
6	8SB24560405P	13	8MB03200506A
7	5212PF0901D	14	8MB03200406K

UH90 □ □ 3 UH90 □ □ 4 UH90 □ □ 5 系列壓腳組件(零件)一覽表

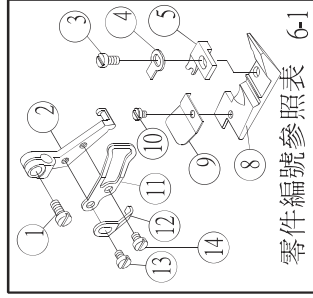
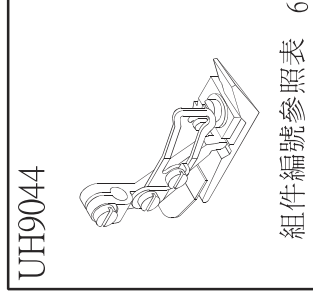
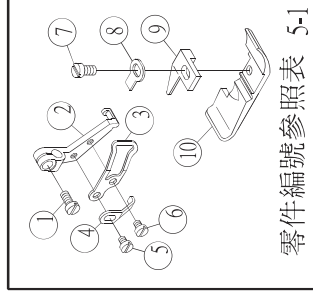
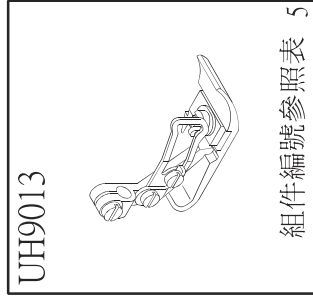
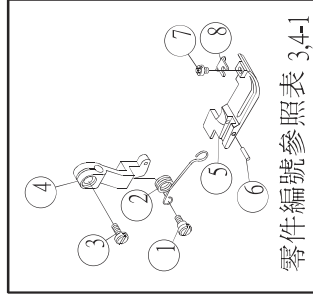
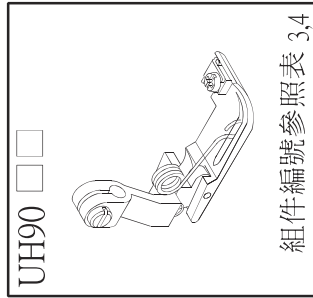


表 3

機	型	壓腳組件編號
UH9075/A-353-M16		5212PF0701(R3)
UH9065-353-M16		5212PF0703(R1.2)
UH9075-353-M16		5212PF0703(R1.2)

表 3-1

序號	零件編號	序號	零件編號
1	8SC32440406A	5	參照表 3-2
2	5210PF75C32D	6	5210PF34D03E
3	8SB36400706A	7	8SB24560305A
4	5212PF0701C	8	5212PF75C32C

表 3-2

序號	零件編號	壓腳組件編號
5	5210PF75C32B	5212PF0701(R3)
	5210PF75C32B2	5212PF0703(R1.2)

表 4

機	型	壓腳組件編號
UH9064-243-M14		5212PF0601
UH9074-243-M14		5212PF0601

表 4-1

序號	零件編號	序號	零件編號
1	8SC32440406A	4	5212PF0701C
2	5210PF75C32D	5	5210PF74A43B
3	8SB36400706A	6	5210PF34D03E

表 5

機	型	壓腳組件編號
UH9013-032-L05		5212PF0101

表 5-1

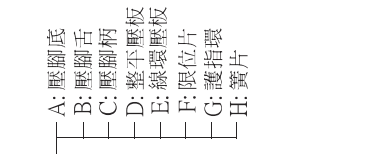
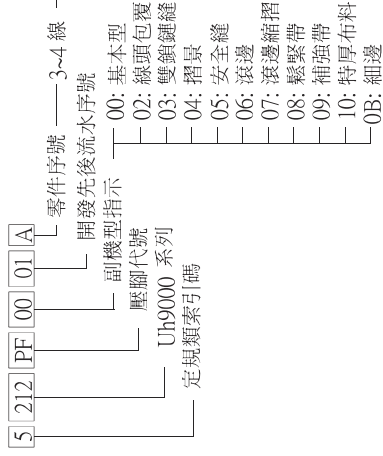
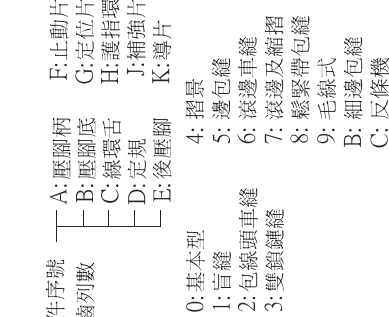
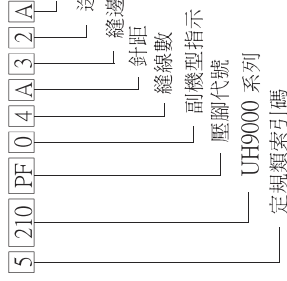
序號	零件編號	序號	零件編號
1	8MB85240806P	6	8MB03200406K
2	5212PF0002C	7	8SB32440505A
3	5212PF0002G	8	5212PF0002H
4	5212PF0002F	9	5210PF13032C
5	8MB03200506A	10	5210PF13032B

表 6

機	型	壓腳組件編號
UH9044-243-M14		5212PF0404

表 6-1

序號	零件編號	序號	零件編號
1	8MB85240806P	7	5210PF03032E
2	5212PF0002C	8	8SB24560205A
3	8SB32440505A	9	5212PF0002G
4	5212PF0002H	10	5212PF0002F
5	5210PF04A32C	11	8MB03200506A
6	5210PF43033B	12	8MB03200406K



UH9 系列壓腳組件(零件)一覽表

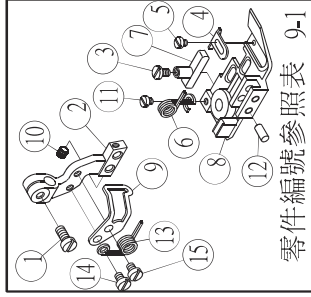
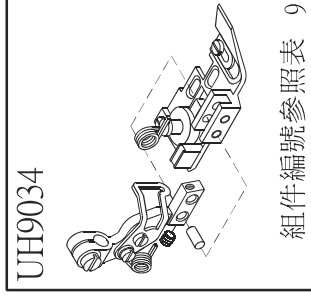
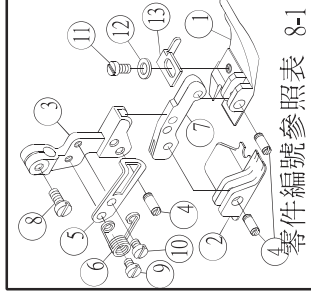
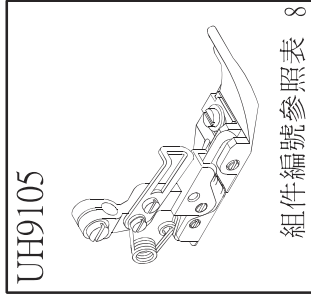
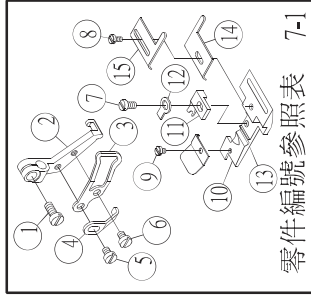
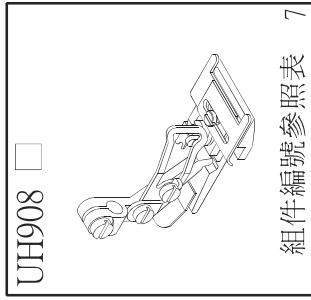


表 7

機	型	壓腳組件編號
UH9083-053-H04		5212PF0801
UH9084-243-H14		5212PF0802

表 8

機	型	壓腳組件編號
UH9105-553-X16		5212PF1001

表 7-1

序號	零件編號	序號	零件編號
1	8MB85240806P	9	8SB24560205A
2	5212PF0801C	10	5210PF03032E
3	5212PF0002G	11	參照表 7-2
4	5212PF0002F	12	5210PF03032G
5	8MB03200506A	13	5212PF0801A
6	8MB03200406K	14	5210PF83053J
7	8SB32440505A	15	5210PF83053K
8	8SB32440505A		

表 8-1

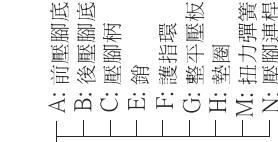
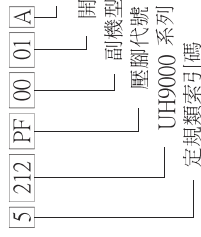
序號	零件編號	序號	零件編號
1	5212PF1001A	8	8MB85240806P
2	5212PF1001B	9	8MB03200506A
3	5212PF1001C	10	8MB03200406K
4	5212PF0011E	11	8SB32440505P
5	5212PF1001F	12	5212PF1001H
6	5212PF1001M	13	5212PF0301G
7	5212PF1001N		

表 9-1

序號	零件編號	序號	零件編號
1	8MB85240806P	9	5212PF0301F
2	5212PF0301C	10	8MN03200300A
3	8SB24560306A	11	8SB24560405P
4	5212PF0301G	12	5212PF0301E
5	8SB24560305P	13	5212PF0301M
6	5212PF0301J	14	8MB03200506A
7	5212PF0301B	15	8MB03200406K
8	5212PF0301A		

表 7-2

組件編號	序號	零件編號
5212PF0801		5212PF0801B
5212PF0802		5212PF0802B



- A: 前壓腳底
- B: 後壓腳底
- C: 壓腳柄
- E: 銷
- F: 護指環
- G: 墊平壓板
- M: 扭力彈簧
- J: 彈簧

UH90 系列壓腳組件(零件)一覽表

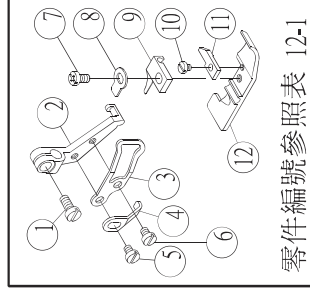
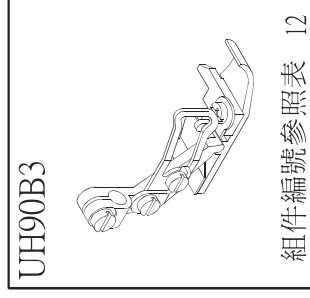
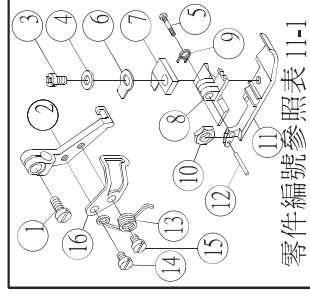
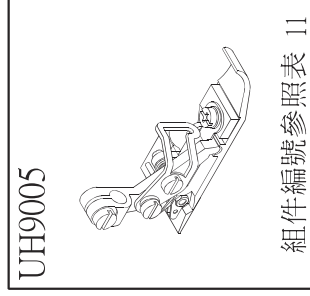
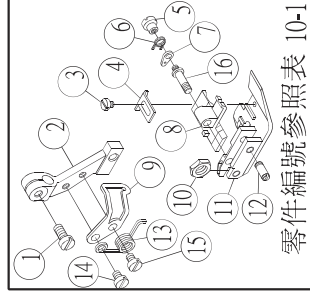
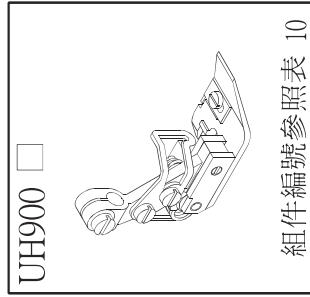


表 10-1

機	型	壓腳組件編號
UH9005	332-M16	5212PF0010
UH9005	352-M16	5212PF0010
UH9005	353-M16	5212PF0010
UH9005	553-M16	5212PF0011
UH9005	553-H16	5212PF0011
UH9045	353-M16	5212PF0402
UH9055	353-M16	5212PF0501
UH9006	3243-M44	5212PF0015
UH9006	5243-M44	5212PF0014

表 10-2

序號	零件編號	序號	零件編號
1	8MB85240806P	9	5212PF0011F
2	參照表 10-2	10	8SA32440205A
3	8SB24560305P	11	參照表 10-2
4	參照表 10-2	12	5212PF0011E
5	5212PF0011K	13	5212PF0011M
6	5212PF0011J	14	8MB03200506A
7	5212PF0011H	15	8MB03200406K
8	參照表 10-2	16	5212PF0011D

表 11

機	型	壓腳組件編號
UH9005	232-L16	5212PF0013
UH9005	332C-L16	5212PF0012

表 11-1

序號	零件編號	序號	零件編號
1	8MB85240806P	9	5212PF0012G
2	5212PF0012C	10	8SA24560204A
3	8SB32440605K	11	參照表 11-2
4	5212PF0012H	12	5212PF0012J
5	5212PF0012D	13	5212PF0012K
6	5212PF0012E	14	8MB03200506A
7	參照表 11-2	15	8MB03200406K
8	參照表 11-2	16	5212PF0002G

表 11-2

序號	零件編號	序號	零件編號
5212PF0012	5212PF0012F	8	5212PF0012A
5212PF0013	5212PF0013F	11	5212PF0013A

表 10-2

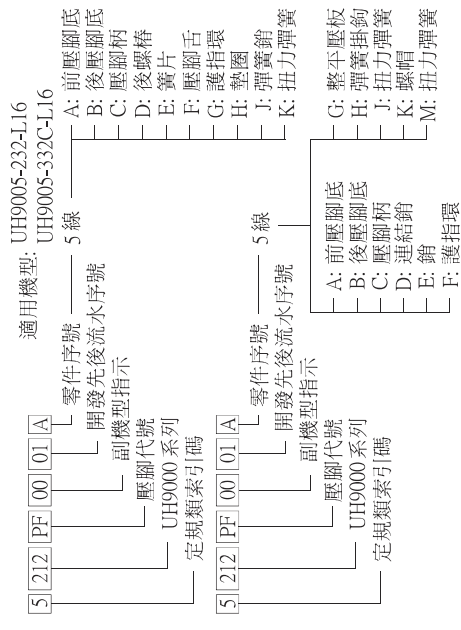
序號	零件編號	序號	零件編號
2	5212PF0010C	4	5212PF0010B
5212PF0010	5212PF0011G	8	5212PF0010A
5212PF0011	5212PF0011C	11	5212PF0011A
5212PF0402	5212PF0011C	11	5212PF0011A
5212PF0501	5212PF0010C	11	5212PF0010A
5212PF0015	5212PF0010C	11	5212PF0010A
5212PF0016	5212PF0011C	11	5212PF0011A

表 12

機	型	壓腳組件編號
UH90B3	021-F02	5212PF0B02
UH90B3	021-F04	5212PF0B02

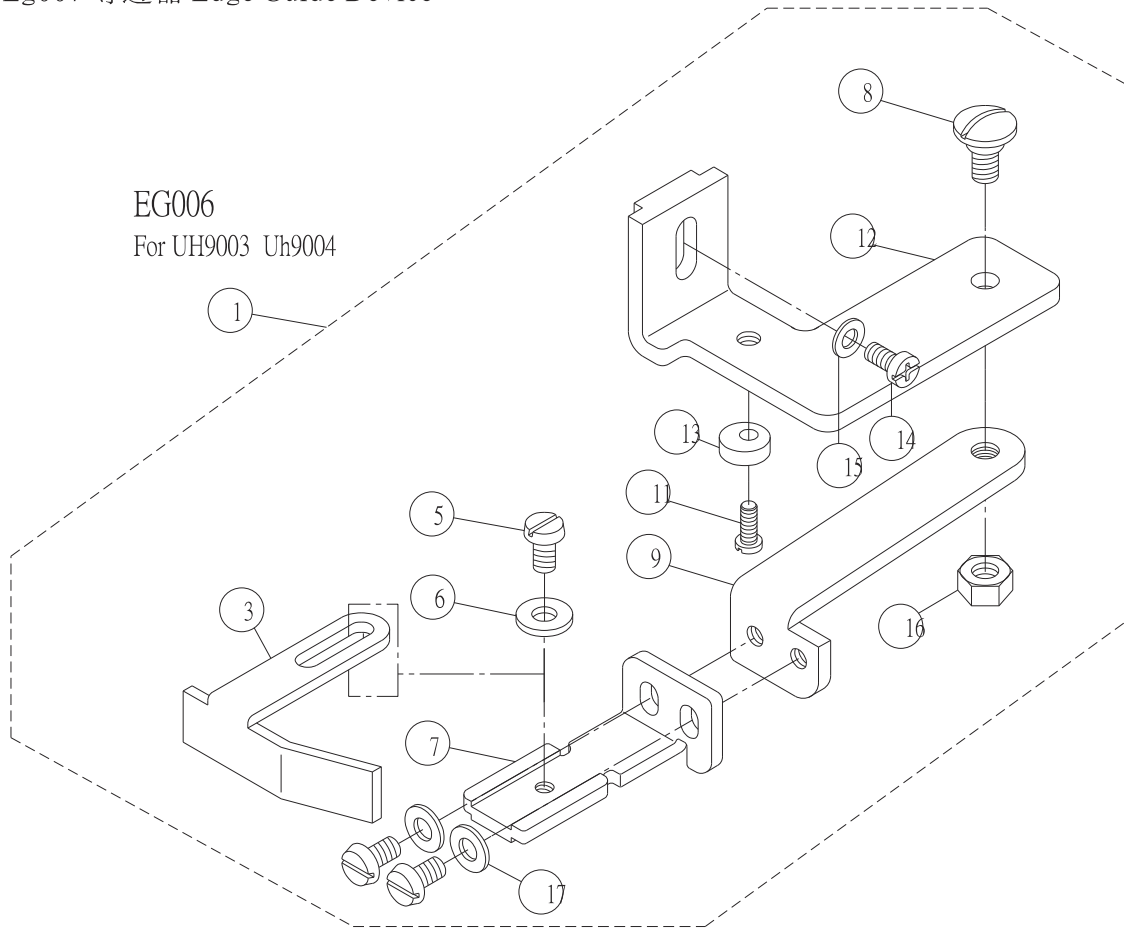
表 12-1

序號	零件編號	序號	零件編號
1	8MB85240806P	7	8SB32440505A
2	5212PF0002C	8	5212PF0002H
3	5212PF0002G	9	5212PF0B02B
4	5212PF0002F	10	8SB24560405A
5	8MB03200506A	11	5210PF03032B
6	8MB03200406K	12	5212PF0B02A

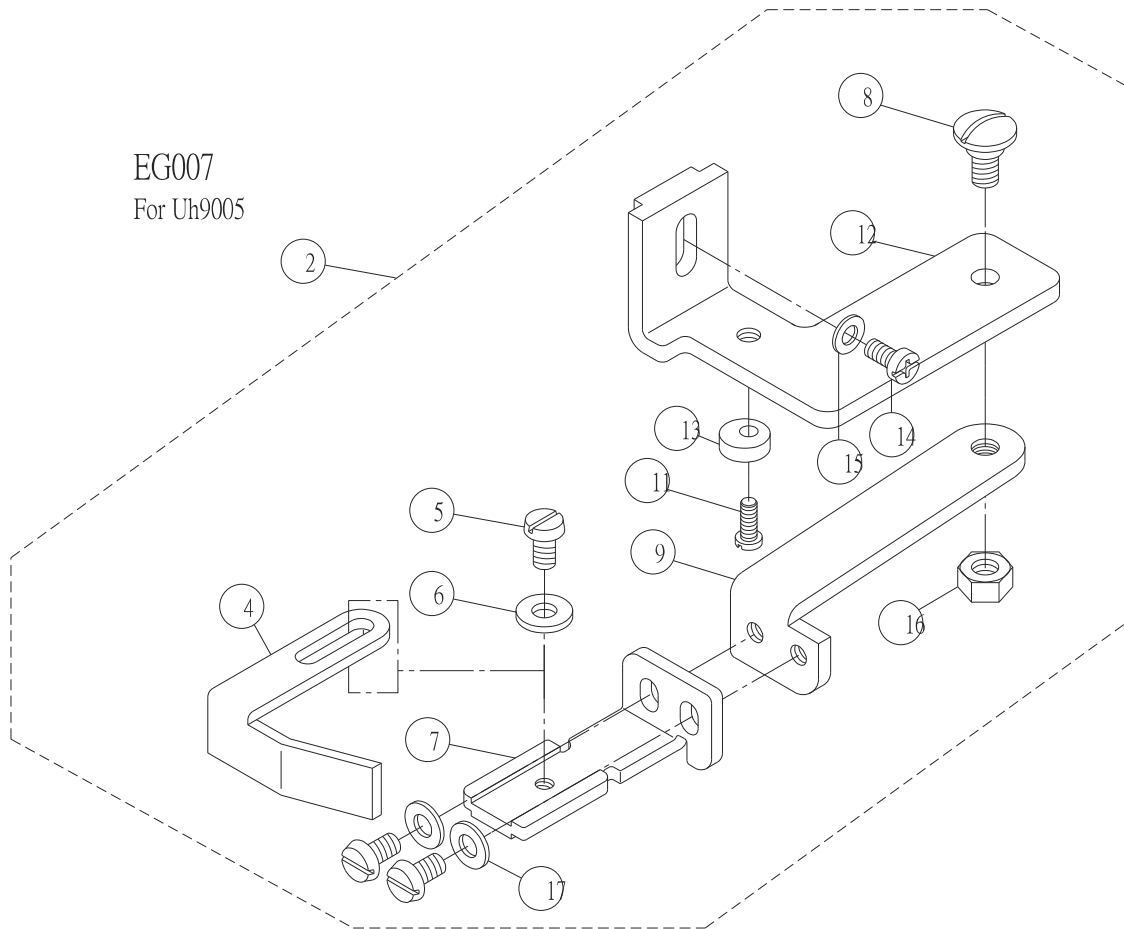


Eg006 Eg007 導邊器 Edge Guide Device

EG006
For UH9003 Uh9004



EG007
For Uh9005

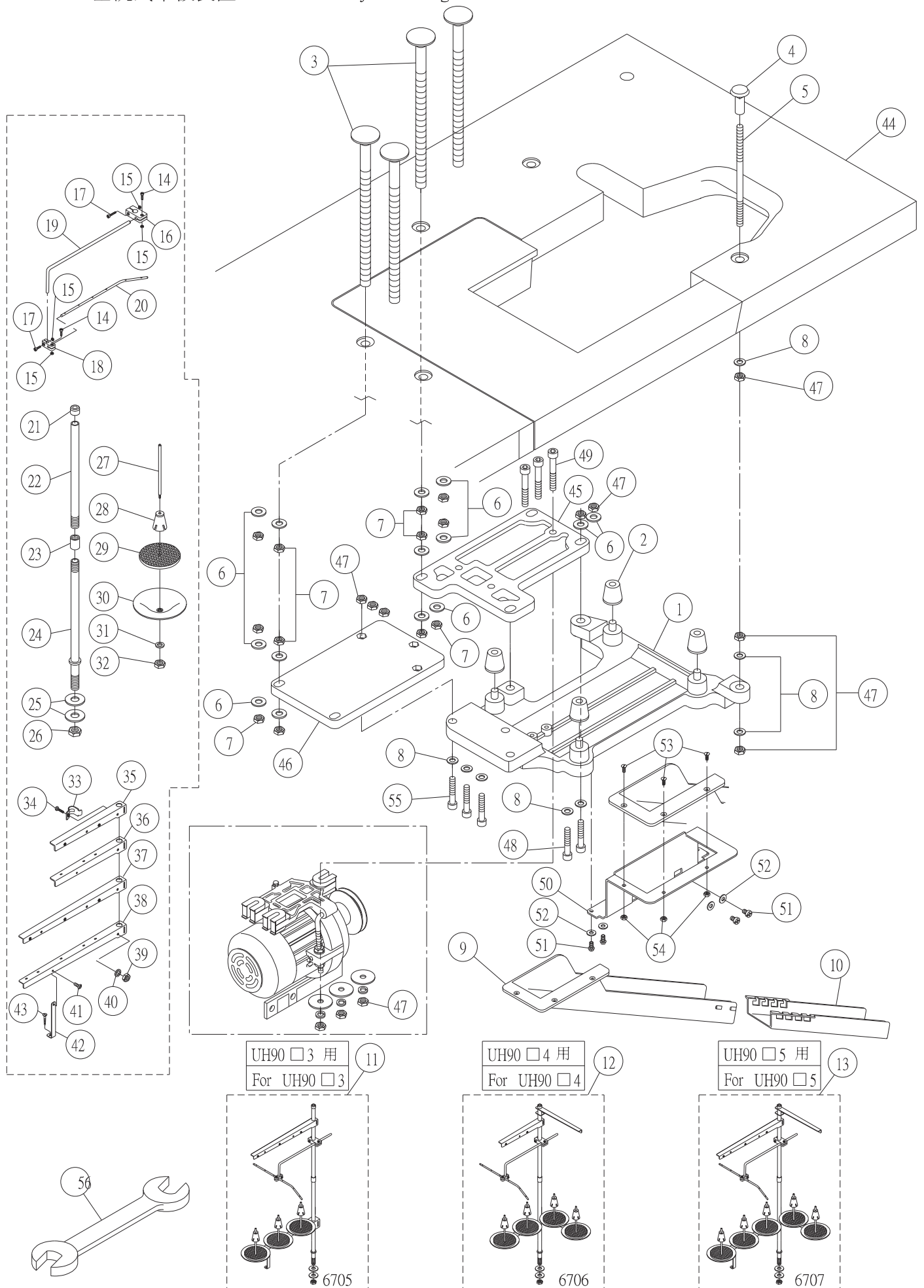


Eg006 Eg007 導邊器 Edge Guide Device

序號	物料編號	名稱		單位用量
Ref. No.	Parts Number	Description		Amt.Req.
**1	/Eg006	導邊器組	Edge Guide Set	
**2	/Eg007	導邊器組	Edge Guide Set	
3	4EG0060103	導邊器	Edge Guide	1
4	4EG0070104	導邊器	Edge Guide	1
5	8SC36400707D	螺絲	Screw	3
6	4EG0010107	墊圈	Washer	1
7	4EG0060108	導邊器座	Edge Guide Bracket	1
8	8SC44400908E	螺絲	Screw	1
9	4EG0060109	活頁	Hinge	1
11	8SB32440605K	螺絲	Screw	1
12	4EG0060112	支架	Bracket	1
13	4BH0020109	定位凸輪	Cam	1
14	8MC04281207D	螺絲	Screw	1
15	2100000223	墊圈	Washer	1
16	8SA44400307A	螺帽	Nut	1
17	4EG0060117	墊圈	Washer	2

**整組套件

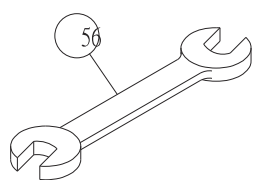
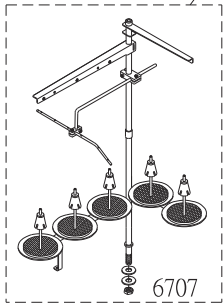
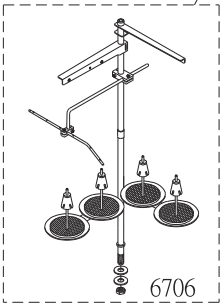
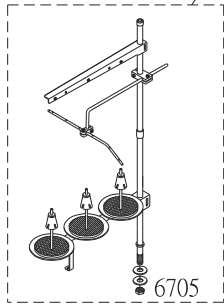
Fs003 全沉式車板裝置 Parts For Fully-Submerged Installation



UH90 □ 3 用
For UH90 □ 3

UH90 □ 4 用
For UH90 □ 4

UH90 □ 5 用
For UH90 □ 5



6705

6706

6707

FS003 全沉式車板裝置 Parts For Fully-Submerged Installation

序號	物料編號	名稱		單位用量
Ref. No.	Parts Number	Description		Amt. Req.
1	66911	托底板	Frame Support Plate	1
2	66941	防震墊	Rubber	4
3	66957	懸吊螺樁	Screw	4
4	66958-1	螺帽	Nut	1
5	66958-2	螺樁	Stud	1
6	90PW1001	墊圈	Washer	14
7	8SA10160714A	螺帽	Nut	12
8	90PW083	墊圈	Washer	8
9	66820-1	上導布屑	Waste Chute	1
10	66820-2	下導布屑	Waste Chute	1
11	66705	線架組	Thread Stand Asm.	1
12	66706	線架組	Thread Stand Asm.	1
13	66707	線架組	Thread Stand Asm.	1
14	667058	螺絲	Screw	2
15	667059	螺帽	Nut	4
**16	667057	接頭	Bracket	1
17	6670510	螺絲	Screw	2
18	6670512	接頭	Bracket	1
19	6670511	旋臂	Arm	1
20	6670513	導線桿	Thread Guide	1
21	667051	柱帽	Rod Cup	1
22	667052	上柱	Upper Thread Stand Rod	1
23	667053	接頭	Joint	1
24	667054	下柱	Lower Thread Stand Rod	1
25	667055	墊圈	Washer	2
26	667056	螺帽	Nut	1
27	6670515	線盤軸	Spool Pin	1
28	6670516	定心椎	Spool Retaining Fig	1
29	6670517	緩衝墊	Seat	1
30	6670518	線盤	Spool Tray	1
31	6670519	彈簧墊圈	Spring Washer	1
32	6670520	螺帽	Nut	1
33	6670523	夾板	Clamp	3線用2個4線用4個
34	6670524	螺絲	Screw	3線用2個4線用4個
35	6670531	導線	Thread Guide	4線用2個5線用1個
36	667061	線盤座	Spool Set Bracket	4線用2個5線用1個
37	6670521	導線臂	Thread Guide	3線5線用1個
38	6670522	線盤座	Thread Guide	3線5線用1個
39	6670526	螺帽	Nut	1
40	6670525	彈簧墊圈	Spring Washer	1
41	6670528	螺絲	Screw	3線5線用1個
42	6670527	撐桿	Support Rod	3線5線用1個
43	6670530	木螺絲	Wood Screw	3線5線用1個
44	66814-2	車板	Table	1
45	66911-2	連結板(一)	Aux Plate (一)	1
46	66911-3	連結板(二)	Aux Plate (二)	1
47	8MA08500613A	螺帽	Nut	11
48	8MM08504513A	螺絲	Screw	2
49	8MM08505513A	螺絲	Screw	3
50	668201	支架	Bracket	1
51	8MC04280807D	螺絲	Screw	4
52	2100000223	墊圈	Washer	4
53	8ME04281008A	螺絲	Screw	3
54	8MA04280307A	螺帽	Nut	3
55	8MM08504013A	螺絲	Screw	3
56	66627-11*13	開口板手 11*13MM	Wrench	1